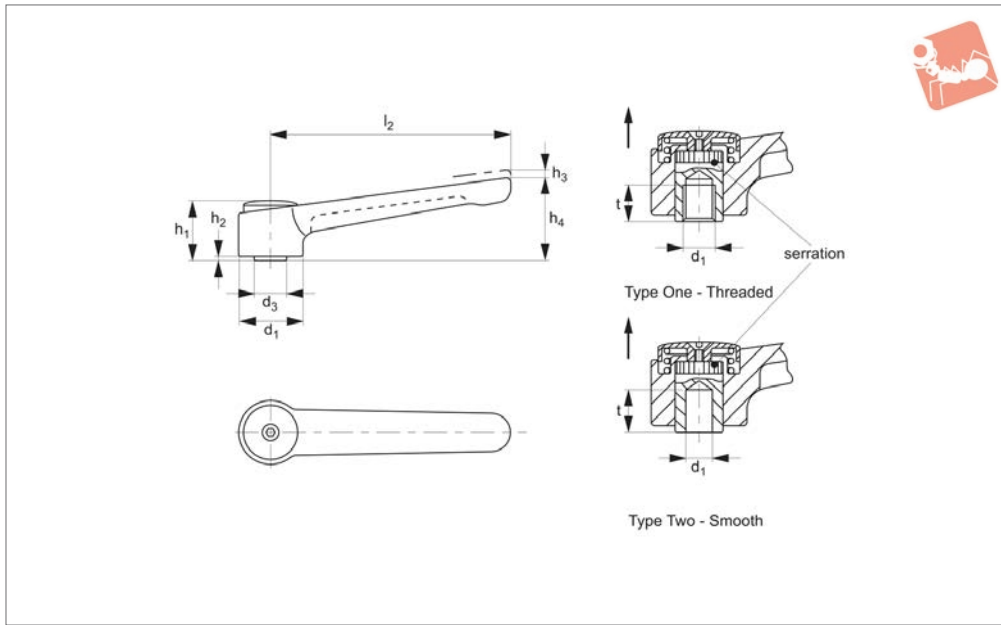




Adjustable Clamping Levers

cast zinc, inner parts steel

Clamping Levers



74490

CLAMPING LEVERS

Material

Lever: Zinc die-cast, plastic coated, matt
 Black - similar to RAL 9005
 Silver - similar to RAL 9006
 Inner: Steel, blackened
 Cover: Plastic.

Technical Notes

By lifting up the lever, the serrations are disengaged and the handle can then be swung to any position. On releasing the serrations are automatically re-engaged.

Available with smooth bore.

Tips

Suitable for use in restricted areas due to low height and adjustable lever.

Order No.	Type, colour	d ₁	d ₂	d ₂ tol. H7	d ₃	h ₁	h ₂	h ₃	h ₄	l ₂	t min.	Weight g
74490.W0005	One, Black	32	M 8	-	16	29.5	2	2.5	41.5	120	14	186
74490.W0010	One, Black	32	M10	-	16	29.5	2	2.5	41.5	120	14	183
74490.W0015	One, Black	32	M12	-	16	29.5	2	2.5	41.5	120	14	179
74490.W0020	One, Black	40	M12	-	23	42.0	4	4.0	56.0	145	22	313
74490.W0025	One, Black	40	M16	-	23	42.0	4	4.0	56.0	145	22	373
74490.W0105	One, Silver	32	M 8	-	16	29.5	2	2.5	41.5	120	14	186
74490.W0110	One, Silver	32	M10	-	16	29.5	2	2.5	41.5	120	14	183
74490.W0115	One, Silver	32	M12	-	16	29.5	2	2.5	41.5	120	14	179
74490.W0120	One, Silver	40	M12	-	23	42.0	4	4.0	56.0	145	22	313
74490.W0125	One, Silver	40	M16	-	23	42.0	4	4.0	56.0	145	22	373
74490.W0050	Two, Black	32	-	8	16	29.5	2	2.5	41.5	120	14	188
74490.W0051	Two, Black	32	-	10	16	29.5	2	2.5	41.5	120	14	185
74490.W0052	Two, Black	40	-	12	23	42.0	4	4.0	56.0	145	22	387
74490.W0053	Two, Black	40	-	16	23	42.0	4	4.0	56.0	145	22	389
74490.W0150	Two, Silver	32	-	8	16	29.5	2	2.5	41.5	120	14	188
74490.W0151	Two, Silver	32	-	10	16	29.5	2	2.5	41.5	120	14	185
74490.W0152	Two, Silver	40	-	12	23	42.0	4	4.0	56.0	145	22	387
74490.W0153	Two, Silver	40	-	16	23	42.0	4	4.0	56.0	145	22	389