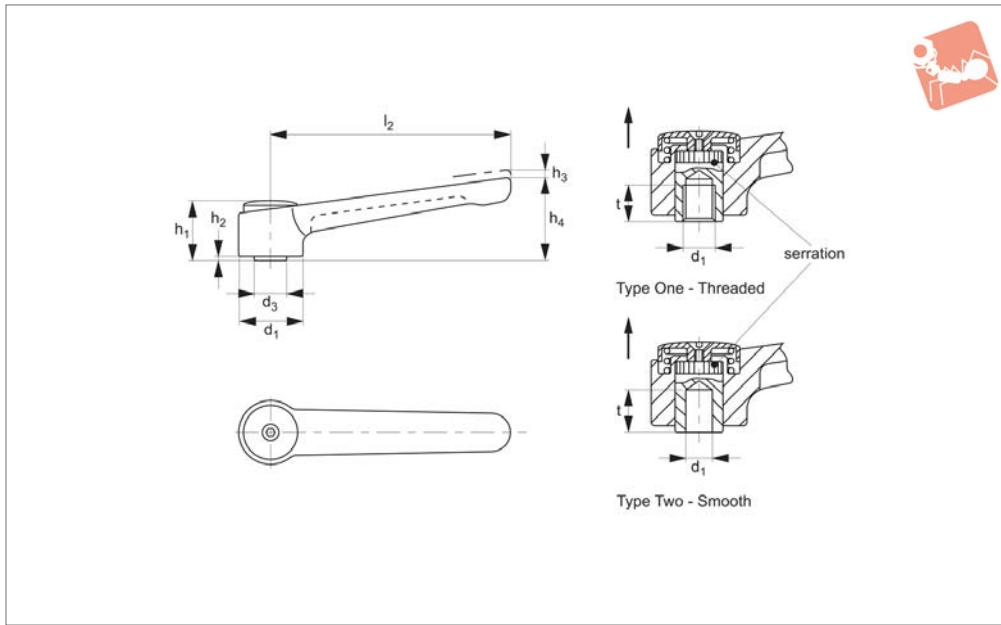




Adjustable Clamping Levers

cast zinc, Inner parts **stainless steel**



74492

CLAMPING LEVERS

Material

Lever: Zinc die-cast, plastic coated, matt
 Black - similar to RAL 9005
 Silver - similar to RAL 9006
 Inner: Stainless steel
 Cover: Plastic.

Technical Notes

By lifting up the lever, the serrations are disengaged and the handle can then be swung to any position. On releasing the serrations are automatically re-engaged.

Available with smooth bore.

Tips

Suitable for use in restricted areas due to low height and adjustable lever.

Order No.	Type	d ₁	d ₂ tol. H7	d ₂	d ₃	h ₁	h ₂	h ₃	h ₄	l ₂	t min.	Weight g
74492.W0205	One, Black	32	16	M 8	16	29.5	2	2.5	41.5	120	14	187
74492.W0210	One, Black	32	16	M10	16	29.5	2	2.5	41.5	120	14	187
74492.W0215	One, Black	32	16	M12	16	29.5	2	2.5	41.5	120	14	187
74492.W0220	One, Black	40	23	M12	23	42.0	4	4.0	56.0	145	22	390
74492.W0225	One, Black	40	23	M16	23	42.0	4	4.0	56.0	145	22	373
74492.W0305	One, Silver	32	16	M 8	16	29.5	2	2.5	41.5	120	14	187
74492.W0310	One, Silver	32	16	M10	16	29.5	2	2.5	41.5	120	14	187
74492.W0315	One, Silver	32	16	M12	16	29.5	2	2.5	41.5	120	14	187
74492.W0320	One, Silver	40	23	M12	23	42.0	4	4.0	56.0	145	22	390
74492.W0325	One, Silver	40	23	M16	23	42.0	4	4.0	56.0	145	22	373
74492.W0250	Two, Black	32	8	-	16	29.5	2	2.5	41.5	120	14	185
74492.W0255	Two, Black	32	10	-	16	29.5	2	2.5	41.5	120	14	187
74492.W0260	Two, Black	40	12	-	23	42.0	4	4.0	56.0	145	22	390
74492.W0265	Two, Black	40	16	-	23	42.0	4	4.0	56.0	145	22	367
74492.W0350	Two, Silver	32	8	-	16	29.5	2	2.5	41.5	120	14	185
74492.W0355	Two, Silver	32	10	-	16	29.5	2	2.5	41.5	120	14	187
74492.W0360	Two, Silver	40	12	-	23	42.0	4	4.0	56.0	145	22	390
74492.W0365	Two, Silver	40	16	-	23	42.0	4	4.0	56.0	145	22	367