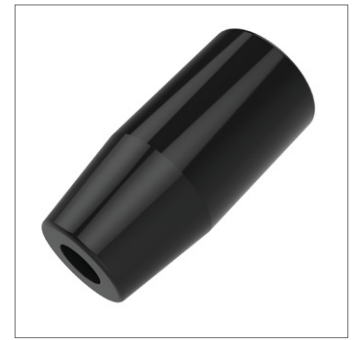
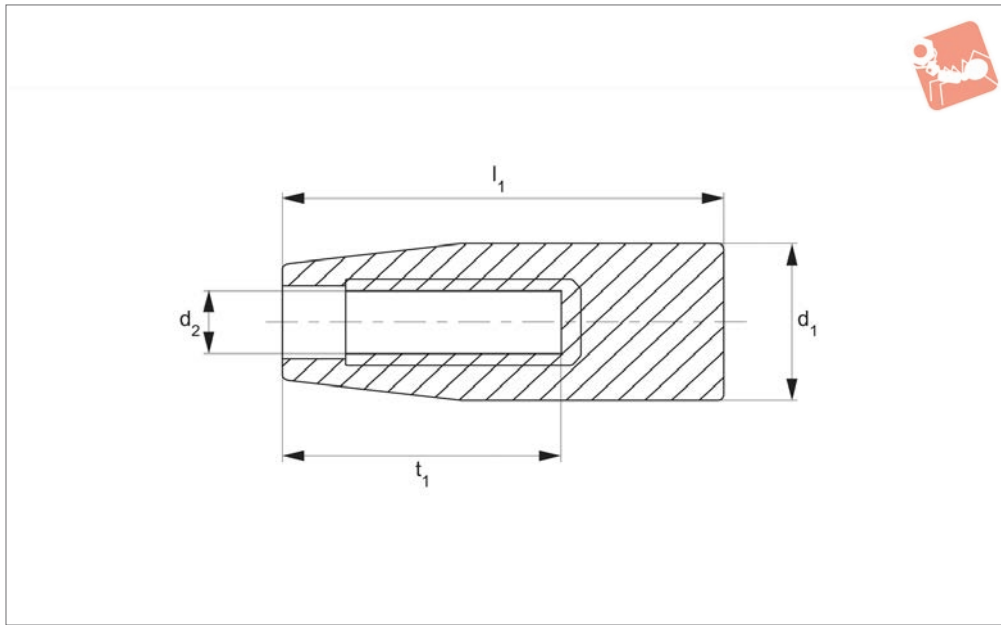




Cylindrical Handles Self Locking plain bore



75012

CRANKED & REVOLVING HANDLES

Material

Phenolic plastic, black.

request, subject to minimum order quantity.

Technical Notes

Special sizes and colours available on

| Order No. | d ₁ | d ₂ | l ₁ | t ₁ | Weight g |
|-------------|----------------|----------------|----------------|----------------|-------------|
| 75012.W1705 | 17 | 5 | 40 | 21 | 9 |
| 75012.W1706 | 17 | 6 | 40 | 21 | 9 |
| 75012.W2108 | 21 | 8 | 50 | 28 | 20 |
| 75012.W2110 | 21 | 10 | 50 | 28 | 18 |
| 75012.W2308 | 23 | 8 | 55 | 28 | 27 |
| 75012.W2310 | 23 | 10 | 55 | 28 | 25 |
| 75012.W2510 | 25 | 10 | 65 | 30 | 36 |
| 75012.W2512 | 25 | 12 | 65 | 30 | 35 |
| 75012.W2812 | 28 | 12 | 85 | 45 | 58 |
| 75012.W2814 | 28 | 14 | 85 | 45 | 55 |
| 75012.W2912 | 29 | 12 | 115 | 45 | 89 |
| 75012.W2914 | 29 | 14 | 115 | 45 | 84 |