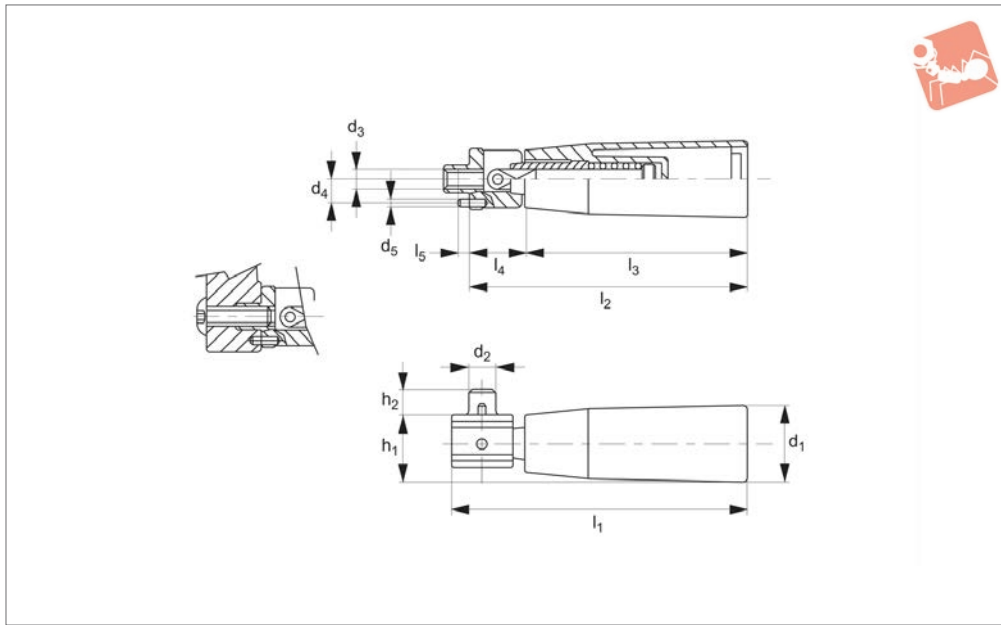




Rotating Handles

fold-away type

Cranked & Revolving



75160

CRANKED & REVOLVING HANDLES

Material

Thermoplastic, black, matt. Steel stud and zinc plated steel retractable mechanism.

Technical Notes

Fold-away handles are ideal for applica-

tions where, due to lack of space or for safety, the handle must be folded down and out of the way. Handle spring loaded for quick return. For certain minimum quantities custom colours available upon

request.

Order No.	d ₁	d ₂	d ₃	d ₄	d ₅	h ₁	h ₂	l ₁	l ₂	l ₃	l ₄	l ₅	Weight g
75160.W0021	21	7	M 5	6.3	2.5	27	8	63	57	50	7	4	46
75160.W0023	23	8	M 5	7.5	2.5	29	8	84	77	70	7	4	63
75160.W0024	26	8	M 6	7.5	2.5	32	10	107	97	90	7	4	105