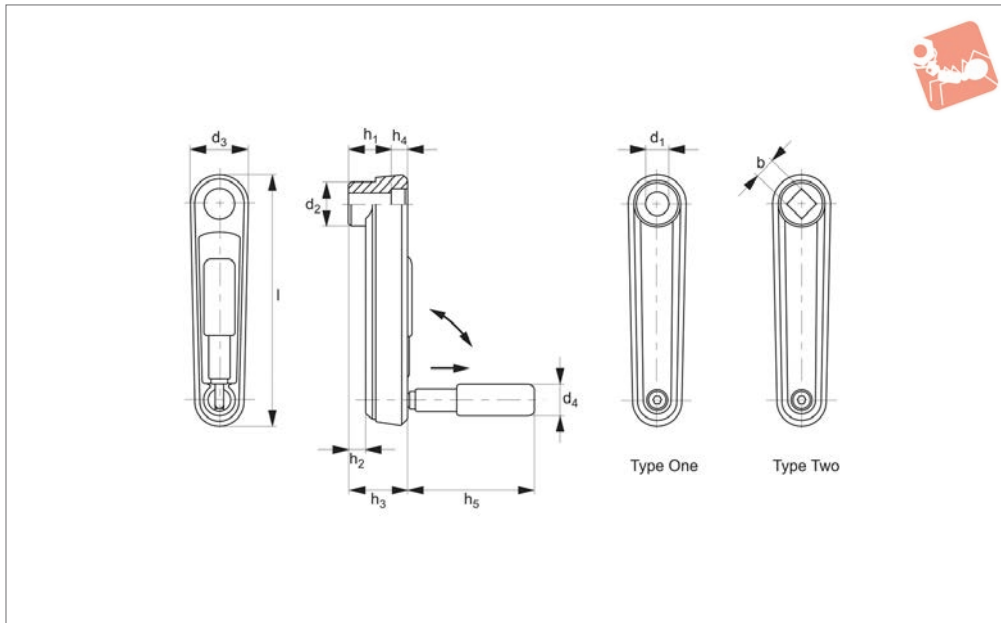




Cranked Handles

stainless steel - folding handle

Cranked & Revolving



75212

CRANKED & REVOLVING HANDLES

Material

Axle: Stainless steel 1.4305.
 Cover: plastic, grey.
 Body: Aluminium, plastic coated, structural matt.

Silver - similar RAL 9006
 Black - similar RAL9005
 Handle: Plastic, black matt.

Technical Notes

Operating: Handle is locked in position.
 To store: Pull handle along axis and lift into locked position.

Order No.	Type, colour	b tol. H11	d ₁ tol. H7	d ₂	d ₃	d ₄ dia.	h ₁	h ₂	h ₃	h ₄	h ₅	Weight g
75212.W0405	One, silver	-	10	23.0	30	16	19.5	4.0	25.5	4.3	43.0	118
75212.W0410	One, silver	-	12	26.7	35	18	23.5	5.5	29.5	4.2	57.5	197
75212.W0415	One, silver	-	14	28.0	37	24	30.5	10.5	36.5	4.2	76.5	283
75212.W0505	One, black	-	10	23.0	30	16	19.5	4.0	25.5	4.3	43.0	118
75212.W0510	One, black	-	12	26.7	35	18	23.5	5.5	29.5	4.2	57.5	197
75212.W0515	One, black	-	14	28.0	37	24	30.5	10.5	36.5	4.2	76.5	283
75212.W0605	Two, silver	10	-	23.0	30	16	19.5	4.0	25.5	4.3	43.0	118
75212.W0606	Two, silver	12	-	26.7	35	18	23.5	5.5	29.5	4.2	57.5	197
75212.W0607	Two, silver	14	-	28.0	37	24	30.5	10.5	36.5	4.2	76.5	283
75212.W0705	Two, black	10	-	23.0	30	16	19.5	4.0	25.5	4.3	43.0	118
75212.W0710	Two, black	12	-	26.7	35	18	23.5	5.5	29.5	4.2	57.5	197
75212.W0715	Two, black	14	-	28.0	37	24	30.5	10.5	36.5	4.2	76.5	283