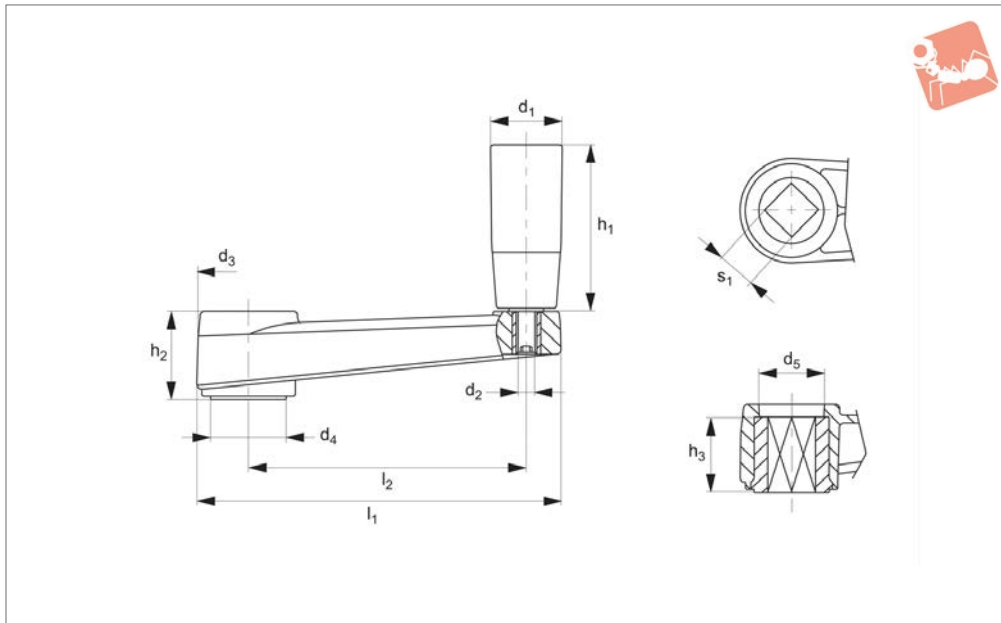


Cranked Handles with rotating grip

Cranked & Revolving



75240

CRANKED & REVOLVING HANDLES

Material

Thermoplastic, black, matt. Glass fibre reinforced. Revolving handle.
Revolving grip: duroplast, black.

Handle arm: thermoplastic, black matte.

Technical Notes

Special inch and metric bars, keyways, set

screw holes etc. available on request.
Corresponding machine handles are part number 75120.

Order No.	d ₁	d ₂	d ₃	d ₄	d ₅	h ₁	h ₂	h ₃	l ₁	l ₂	s ₁	Weight g
75240.W0065	17	M 6	27	18	16	40	23	20	87	65	8x8	77
75240.W0080	21	M 6	30	22	19	50	26	22	105	80	10x10	120
75240.W0100	25	M 8	34	24	22	65	30	27	128	100	12x12	293
75240.W0130	28	M 8	40	28	25	85	35	30	162	130	14x14	236
75240.W0160	28	M10	45	34	28	85	40	34	196	160	17x17	369