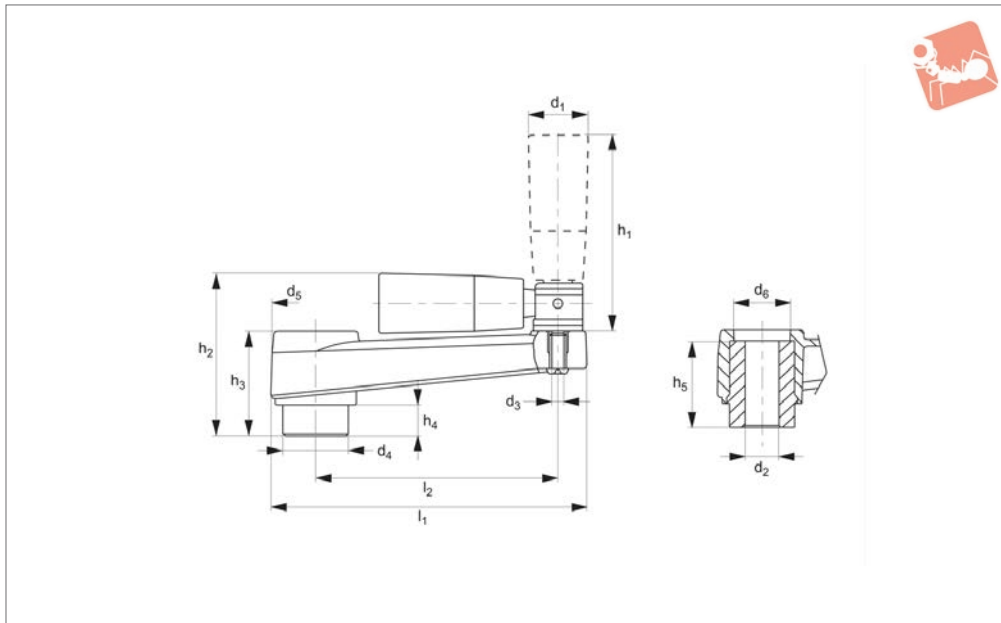


Cranked Handles with fold-away grip

Cranked & Revolving



75280

CRANKED & REVOLVING HANDLES

Material

Thermoplastic, black, matt. Glass fibre reinforced. Fold-away revolving handle. Revolving grip: duroplast, black.

Handle arm: thermoplastic, black matte.

screw holes etc available on request. Circular bore.

Technical Notes

Special inch and metric bars, keyways, set

Order No.	d ₁	d ₂	d ₃	d ₄	d ₅	d ₆	h ₁	h ₂	h ₃	h ₄	h ₅	l ₁	l ₂	Weight g
75280.W0080	10	10	M 5	22	30	19	50	55	36	21	32	105	80	166
75280.W0100	10	12	M 6	24	34	22	70	65	40	23	37	128	100	241
75280.W0130	14	14	M 6	28	40	25	70	76	49	23	44	162	130	335
75280.W0160	15	16	M 6	34	45	28	90	87	55	26	49	196	160	529