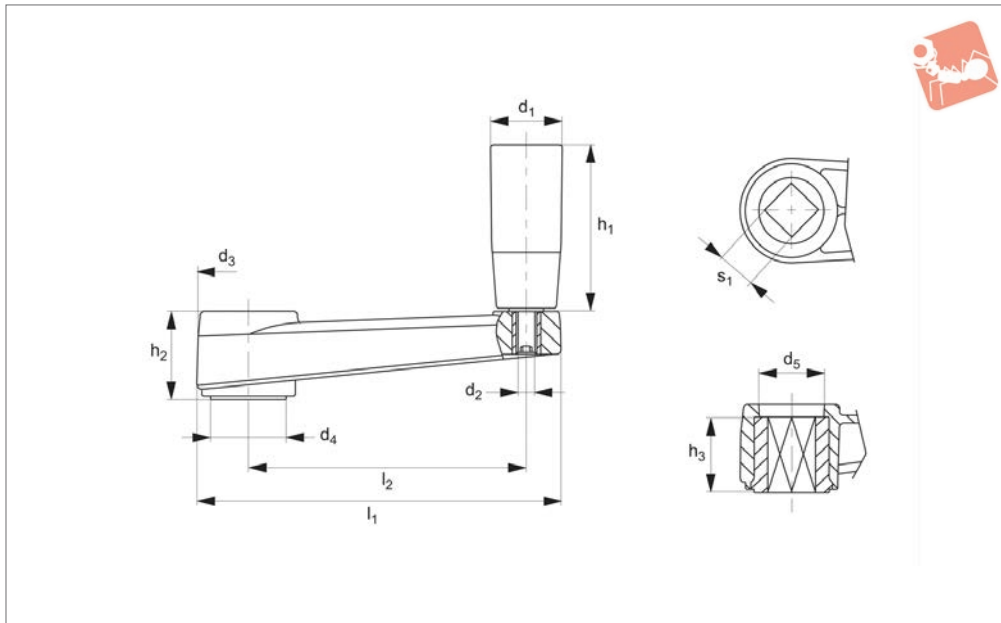


Cranked Handles with rotating grip

Cranked & Revolving



75340

CRANKED & REVOLVING HANDLES

Material

Thermoplastic, black, matt. Glass fibre reinforced. Revolving handle.
Revolving grip and handle arm: thermoplastic, black matte.

stic, black matte.

screw holes etc. available upon request.

Technical Notes

Special inch and metric bores, keyways, set

Order No.	d ₁	d ₂	d ₃	d ₄	d ₅	h ₁	h ₂	h ₃	l ₁	l ₂	s ₁	Weight g
75340.W0065	21	M 6	27	18	16	50	23	20	87	65	8x8	78
75340.W0080	21	M 6	30	22	19	50	26	22	105	80	10x10	102
75340.W0100	23	M 8	34	24	22	70	30	27	128	100	12x12	167
75340.W0130	26	M 8	40	28	25	90	35	30	162	130	14x14	236
75340.W0160	26	M10	45	34	28	90	40	34	196	160	17x17	367