

77100

HANDWHEELS

Material

Handwheel: Grey cast iron GG.
Hub machined; rim turned and mirror-finished on all sides, non-machined

surfaces cleanly blasted.

Technical Notes

Produced to DIN 950.

There are gripping indentations on the rear sides.

For keyways information (dim. t_1 and b_3) to DIN 6885.

Order No.	Type	Bore dia.	d_1	d_2		d_3	$l_1 \approx$	l_2	No. of spokes	Corresp. handle dia.	Weight g
				tol. H7 Small	tol. H7 Large						
77100.W0000	W/o Keyway, W/o Handle	d_2 Small	80	10	12	24	29	16	3		311
77100.W0001	W/o Keyway, W/o Handle	d_2 Large	80	10	12	24	29	16	3		311
77100.W0005	W/o Keyway, W/o Handle	d_2 Small	100	10	12	26	33	17	3		486
77100.W0006	W/o Keyway, W/o Handle	d_2 Large	100	10	12	26	33	17	3		486
77100.W0010	W/o Keyway, W/o Handle	d_2 Small	125	12	14	28	36	18	3		720
77100.W0011	W/o Keyway, W/o Handle	d_2 Large	125	12	14	28	36	18	3		720
77100.W0015	W/o Keyway, W/o Handle	d_2 Small	140	14	16	30	39	19	3		879
77100.W0016	W/o Keyway, W/o Handle	d_2 Large	140	14	16	30	39	19	3		879
77100.W0020	W/o Keyway, W/o Handle	d_2 Small	160	14	16	32	40	20	3		1151
77100.W0021	W/o Keyway, W/o Handle	d_2 Large	160	14	16	32	40	20	3		1151
77100.W0030	W/o Keyway, W/o Handle	d_2 Small	200	18	22	38	45	24	3		2218
77100.W0031	W/o Keyway, W/o Handle	d_2 Large	200	18	22	38	45	24	3		2218
77100.W0040	W/o Keyway, W/o Handle	d_2 Small	250	22	26	45	50	28	5		3735
77100.W0041	W/o Keyway, W/o Handle	d_2 Large	250	22	26	45	50	28	5		3735
77100.W0045	W/o Keyway, W/o Handle	d_2 Small	315	26	30	53	56	33	5		6180
77100.W0046	W/o Keyway, W/o Handle	d_2 Large	315	26	30	53	56	33	5		6180
77100.W0050	W/o Keyway, W/o Handle	d_2 Small	400	30	34	65	63	38	5		9500
77100.W0051	W/o Keyway, W/o Handle	d_2 Large	400	30	34	65	63	38	5		9500
77100.W0100	With Keyway, W/o Handle	d_2 Small	80	10	12	24	29	16	3		360
77100.W0101	With Keyway, W/o Handle	d_2 Large	80	10	12	24	29	16	3		360
77100.W0105	With Keyway, W/o Handle	d_2 Small	100	10	12	26	33	17	3		500
77100.W0106	With Keyway, W/o Handle	d_2 Large	100	10	12	26	33	17	3		500
77100.W0110	With Keyway, W/o Handle	d_2 Small	125	12	14	28	36	18	3		750
77100.W0111	With Keyway, W/o Handle	d_2 Large	125	12	14	28	36	18	3		750
77100.W0115	With Keyway, W/o Handle	d_2 Small	140	14	16	30	39	19	3		902
77100.W0116	With Keyway, W/o Handle	d_2 Large	140	14	16	30	39	19	3		902
77100.W0120	With Keyway, W/o Handle	d_2 Small	160	14	16	32	40	20	3		1139
77100.W0121	With Keyway, W/o Handle	d_2 Large	160	14	16	32	40	20	3		1139
77100.W0130	With Keyway, W/o Handle	d_2 Small	200	18	22	38	45	24	3		2142
77100.W0131	With Keyway, W/o Handle	d_2 Large	200	18	22	38	45	24	3		2142
77100.W0140	With Keyway, W/o Handle	d_2 Small	250	22	26	45	50	28	5		3652
77100.W0141	With Keyway, W/o Handle	d_2 Large	250	22	26	45	50	28	5		3652
77100.W0145	With Keyway, W/o Handle	d_2 Small	315	26	30	53	56	33	5		5800



HANDWHEELS

Order No.	Type	Bore dia.	d ₁	d ₂ tol. H7 Small	d ₂ tol. H7 Large	d ₃	l ₁ ≈	l ₂	No. of spokes	Corresp. handle dia.	Weight g
77100.W0146	With Keyway, W/o Handle	d ₂ Large	315	26	30	53	56	33	5		5800
77100.W0150	With Keyway, W/o Handle	d ₂ Small	400	30	34	65	63	38	5		9500
77100.W0151	With Keyway, W/o Handle	d ₂ Large	400	30	34	65	63	38	5		9500
77100.W0200	W/o Keyway, Rotating Handle	d ₂ Small	80	10	12	24	29	16	3	16	410
77100.W0201	W/o Keyway, Rotating Handle	d ₂ Large	80	10	12	24	29	16	3	16	410
77100.W0205	W/o Keyway, Rotating Handle	d ₂ Small	100	10	12	26	33	17	3	16	550
77100.W0206	W/o Keyway, Rotating Handle	d ₂ Large	100	10	12	26	33	17	3	16	550
77100.W0210	W/o Keyway, Rotating Handle	d ₂ Small	125	12	14	28	36	18	3	20	850
77100.W0211	W/o Keyway, Rotating Handle	d ₂ Large	125	12	14	28	36	18	3	20	850
77100.W0215	W/o Keyway, Rotating Handle	d ₂ Small	140	14	16	30	39	19	3	20	1040
77100.W0216	W/o Keyway, Rotating Handle	d ₂ Large	140	14	16	30	39	19	3	20	1040
77100.W0220	W/o Keyway, Rotating Handle	d ₂ Small	160	14	16	32	40	20	3	25	1390
77100.W0221	W/o Keyway, Rotating Handle	d ₂ Large	160	14	16	32	40	20	3	25	1390
77100.W0230	W/o Keyway, Rotating Handle	d ₂ Small	200	18	22	38	45	24	3	25	2190
77100.W0231	W/o Keyway, Rotating Handle	d ₂ Large	200	18	22	38	45	24	3	25	2190
77100.W0240	W/o Keyway, Rotating Handle	d ₂ Small	250	22	26	45	50	28	5	32	4185
77100.W0241	W/o Keyway, Rotating Handle	d ₂ Large	250	22	26	45	50	28	5	32	4185
77100.W0245	W/o Keyway, Rotating Handle	d ₂ Small	315	26	30	53	56	33	5	32	6185
77100.W0246	W/o Keyway, Rotating Handle	d ₂ Large	315	26	30	53	56	33	5	32	6185
77100.W0250	W/o Keyway, Rotating Handle	d ₂ Small	400	30	34	65	63	38	5	36	10500
77100.W0251	W/o Keyway, Rotating Handle	d ₂ Large	400	30	34	65	63	38	5	36	10500
77100.W0300	With Keyway, Rotating Handle	d ₂ Small	80	10	12	24	29	16	3	16	410
77100.W0301	With Keyway, Rotating Handle	d ₂ Large	80	10	12	24	29	16	3	16	410
77100.W0305	With Keyway, Rotating Handle	d ₂ Small	100	10	12	26	33	17	3	16	550
77100.W0306	With Keyway, Rotating Handle	d ₂ Large	100	10	12	26	33	17	3	16	550
77100.W0310	With Keyway, Rotating Handle	d ₂ Small	125	12	14	28	36	18	3	20	850
77100.W0311	With Keyway, Rotating Handle	d ₂ Large	125	12	14	28	36	18	3	20	850
77100.W0315	With Keyway, Rotating Handle	d ₂ Small	140	14	16	30	39	19	3	20	1040
77100.W0316	With Keyway, Rotating Handle	d ₂ Large	140	14	16	30	39	19	3	20	1040
77100.W0320	With Keyway, Rotating Handle	d ₂ Small	160	14	16	32	40	20	3	25	1390
77100.W0321	With Keyway, Rotating Handle	d ₂ Large	160	14	16	32	40	20	3	25	1390
77100.W0330	With Keyway, Rotating Handle	d ₂ Small	200	18	22	38	45	24	3	25	2190
77100.W0331	With Keyway, Rotating Handle	d ₂ Large	200	18	22	38	45	24	3	25	2190
77100.W0340	With Keyway, Rotating Handle	d ₂ Small	250	22	26	45	50	28	5	32	4185
77100.W0341	With Keyway, Rotating Handle	d ₂ Large	250	22	26	45	50	28	5	32	4185
77100.W0345	With Keyway, Rotating Handle	d ₂ Small	315	26	30	53	56	33	5	32	6185
77100.W0346	With Keyway, Rotating Handle	d ₂ Large	315	26	30	53	56	33	5	32	6185
77100.W0350	With Keyway, Rotating Handle	d ₂ Small	400	30	34	65	63	38	5	36	10500
77100.W0351	With Keyway, Rotating Handle	d ₂ Large	400	30	34	65	63	38	5	36	10500
77100.W0400	W/o Keyway, Fixed Handle	d ₂ Small	80	10	12	24	29	16	3	16	410
77100.W0401	W/o Keyway, Fixed Handle	d ₂ Large	80	10	12	24	29	16	3	16	410
77100.W0410	W/o Keyway, Fixed Handle	d ₂ Small	125	10	12	28	36	18	3	20	835
77100.W0411	W/o Keyway, Fixed Handle	d ₂ Large	125	10	12	28	36	18	3	20	835
77100.W0415	W/o Keyway, Fixed Handle	d ₂ Small	140	12	14	30	39	19	3	20	1025
77100.W0416	W/o Keyway, Fixed Handle	d ₂ Large	140	12	14	30	39	19	3	20	1025
77100.W0420	W/o Keyway, Fixed Handle	d ₂ Small	160	14	16	32	40	20	3	25	1380
77100.W0421	W/o Keyway, Fixed Handle	d ₂ Large	160	14	16	32	40	20	3	25	1380
77100.W0430	W/o Keyway, Fixed Handle	d ₂ Small	200	14	16	38	45	24	3	25	2180
77100.W0431	W/o Keyway, Fixed Handle	d ₂ Large	200	14	16	38	45	24	3	25	2180
77100.W0440	W/o Keyway, Fixed Handle	d ₂ Small	250	18	22	45	50	28	5	32	4160
77100.W0441	W/o Keyway, Fixed Handle	d ₂ Large	250	18	22	45	50	28	5	32	4160
77100.W0445	W/o Keyway, Fixed Handle	d ₂ Small	315	22	26	53	56	33	5	32	6160
77100.W0446	W/o Keyway, Fixed Handle	d ₂ Large	315	22	26	53	56	33	5	32	6160
77100.W0450	W/o Keyway, Fixed Handle	d ₂ Small	400	26	30	65	63	38	5	36	10460
77100.W0451	W/o Keyway, Fixed Handle	d ₂ Large	400	26	30	65	63	38	5	36	10460
77100.W0500	With Keyway, Fixed Handle	d ₂ Small	80	30	34	24	29	16	3	16	410
77100.W0501	With Keyway, Fixed Handle	d ₂ Large	80	30	34	24	29	16	3	16	410
77100.W0505	With Keyway, Fixed Handle	d ₂ Small	100	10	12	26	33	17	3	16	550
77100.W0506	With Keyway, Fixed Handle	d ₂ Large	100	10	12	26	33	17	3	16	550
77100.W0510	With Keyway, Fixed Handle	d ₂ Small	125	10	12	28	36	18	3	20	835
77100.W0511	With Keyway, Fixed Handle	d ₂ Large	125	10	12	28	36	18	3	20	835
77100.W0515	With Keyway, Fixed Handle	d ₂ Small	140	12	14	30	39	19	3	20	1025
77100.W0516	With Keyway, Fixed Handle	d ₂ Large	140	12	14	30	39	19	3	20	1025
77100.W0520	With Keyway, Fixed Handle	d ₂ Small	160	14	16	32	40	20	3	25	1380
77100.W0521	With Keyway, Fixed Handle	d ₂ Large	160	14	16	32	40	20	3	25	1380
77100.W0530	With Keyway, Fixed Handle	d ₂ Small	200	18	22	38	45	24	3	25	2180
77100.W0531	With Keyway, Fixed Handle	d ₂ Large	200	18	22	38	45	24	3	25	2180

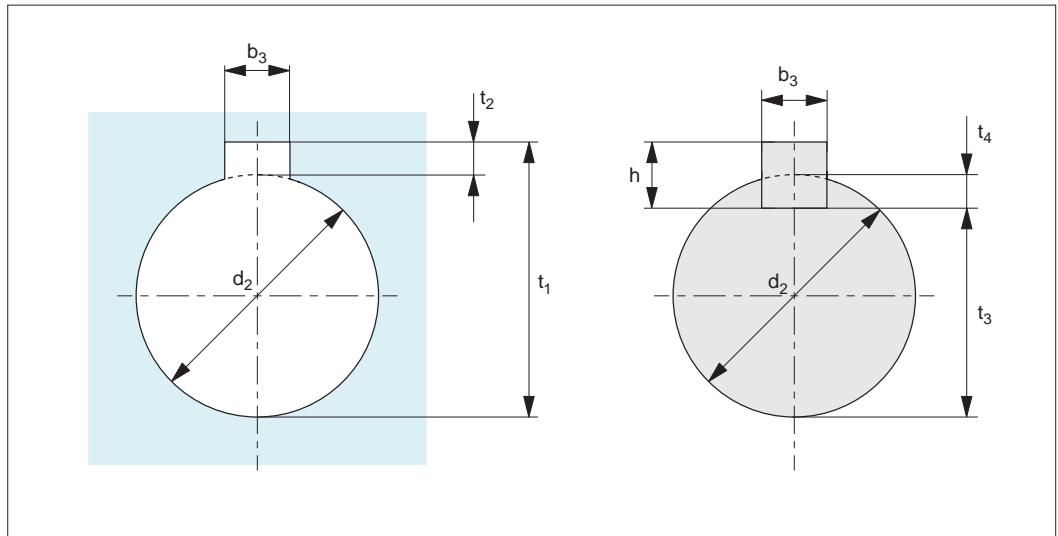


Cast Iron Handwheels



Order No.	Type	Bore dia.	d ₁	d ₂ tol. H7 Small	d ₂ tol. H7 Large	d ₃	l ₁ ≈	l ₂	No. of spokes	Corresp. handle dia.	Weight g
77100.W0540	With Keyway, Fixed Handle	d ₂ Small	250	22	26	45	50	28	5	32	4160
77100.W0541	With Keyway, Fixed Handle	d ₂ Large	250	22	26	45	50	28	5	32	4160
77100.W0545	With Keyway, Fixed Handle	d ₂ Small	315	26	30	53	56	33	5	32	6160
77100.W0546	With Keyway, Fixed Handle	d ₂ Large	315	26	30	53	56	33	5	32	6160
77100.W0550	With Keyway, Fixed Handle	d ₂ Small	400	30	34	65	63	38	5	36	10460
77100.W0551	With Keyway, Fixed Handle	d ₂ Large	400	30	34	65	63	38	5	36	10460

HANDWHEELS



d_2	$b_{P9/JS9}$ hole	$b_{P9/N9}$ shaft	h	$t_1 = d_2 + t_2$	t_2	$t_3 = d_2 - t_4$	t_4
7	2	2	2	8	1+0,1	5,8	1,2+0,1
8	2	2	2	9	1	6,8	1,2
9	3	3	3	10,4	1,4	7,2	1,8
10	3	3	3	11,4	1,4	8,2	1,8
11	4	4	4	12,8	1,8	8,5	2,5
12	4	4	4	13,8	1,8	9,5	2,5
13	5	5	5	15,3	2,3	10	3
14	5	5	5	16,3	2,3	11	3
15	5	5	5	17,3	2,3	12	3
16	5	5	5	18,3	2,3	13	3
17	5	5	5	19,3	2,3	14	3
18	6	6	6	20,8	2,8	14,5	3,5
20	6	6	6	22,8	2,8	16,5	3,5
22	6	6	6	24,8	2,8	18,5	3,5
24	8	8	7	27,3	3,3+0,2	20	4+0,2
25	8	8	7	28,3	3,3	21	4
26	8	8	7	29,3	3,3	22	4
28	8	8	7	31,3	3,3	24	4
30	8	8	7	33,3	3,3	26	4
32	10	10	8	35,3	3,3	27	5
34	10	10	8	37,3	3,3	29	5
35	10	10	8	38,3	3,3	30	5
36	10	10	8	39,3	3,3	31	5
38	10	10	8	41,3	3,3	33	5
40	12	12	8	43,3	3,3	35	5
42	12	12	8	45,3	3,3	37	5
44	12	12	8	47,3	3,3	39	5