

Order No.
d₂ Small

Order No.
d₂ Large

Type

d₁ d₂ H7 smal l d₂ H7 larg e d₃

b₁

l₁

l₂ ≈

e

m

g

Order No. d ₂ Small	Order No. d ₂ Large	Type	d ₁	d ₂ H7 smal l	d ₂ H7 larg e	d ₃	b ₁	l ₁	l ₂ ≈	e	m	g
77300.W0012	77300.W0013	W/o Keyway, W/o Handle	125	12	14	31	15,0	18	33	-	-	301
77300.W0014	77300.W0015	W/o Keyway, W/o Handle	140	14	16	36	16,5	19	36	-	-	400
77300.W0016	77300.W0017	W/o Keyway, W/o Handle	160	14	16	36	18,0	20	39	-	-	520
77300.W0020	77300.W0021	W/o Keyway, W/o Handle	200	18	20	42	20,5	24	45	-	-	886
77300.W0025	77300.W0026	W/o Keyway, W/o Handle	250	22	26	48	23,0	28	51	-	-	1454
77300.W0112	77300.W0113	With Keyway, W/o Handle	125	12	14	31	15,0	18	33	-	-	303
77300.W0114	77300.W0115	With Keyway, W/o Handle	140	14	16	36	16,5	19	36	-	-	406
77300.W0116	77300.W0117	With Keyway, W/o Handle	160	14	16	36	18,0	20	39	-	-	542
77300.W0120	77300.W0121	With Keyway, W/o Handle	200	18	20	42	20,5	24	45	-	-	914
77300.W0125	77300.W0126	With Keyway, W/o Handle	250	22	26	48	23,0	28	51	-	-	1446
77300.W0512	77300.W0513	W/o Keyway, With Handle	125	12	14	31	15,0	18	33	23	M 8	390
77300.W0514	77300.W0515	W/o Keyway, With Handle	140	14	16	36	16,5	19	36	23	M 8	490
77300.W0516	77300.W0517	W/o Keyway, With Handle	160	14	16	36	18,0	20	39	26	M10	645
77300.W0520	77300.W0521	W/o Keyway, With Handle	200	18	20	42	20,5	24	45	26	M10	1000
77300.W0525	77300.W0526	W/o Keyway, With Handle	250	22	26	48	23,0	28	51	28	M10	1585
77300.W0612	77300.W0613	With Keyway, With Handle	125	12	14	31	15,0	18	33	23	M 8	390
77300.W0614	77300.W0615	With Keyway, With Handle	140	14	16	36	16,5	19	36	23	M 8	490
77300.W0616	77300.W0617	With Keyway, With Handle	160	14	16	36	18,0	20	39	26	M10	645
77300.W0620	77300.W0621	With Keyway, With Handle	200	18	20	42	20,5	24	45	26	M10	1000
77300.W0625	77300.W0626	With Keyway, With Handle	250	22	26	48	23,0	28	51	28	M10	1585

Material

Aluminium mould casting. Plastic handle PF 31, DIN 7708. Hub machined; rim turned and mirror-finished on all sides, non-machined surfaces cleanly blasted.

For corresponding handle details see no. 75120 rotating handle.

Technical Notes

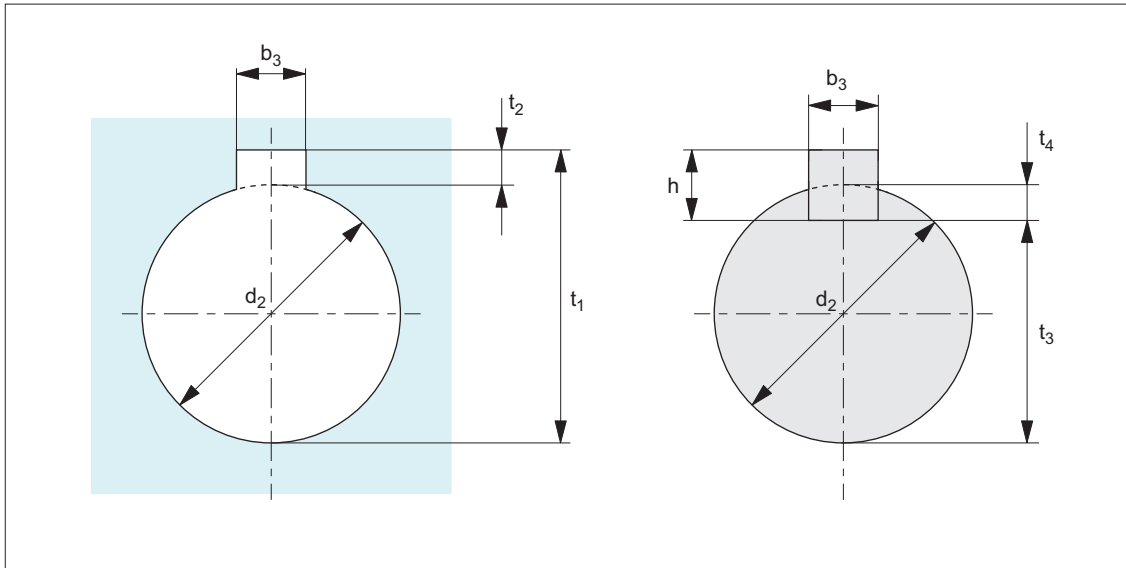
The non-machined, raw surfaces are blasted; together with the mirror-polished rim these handwheels are therefore showing a finish which in most cases does not require additional lacquering.

For keyways information (dim. t₁ and b₃) to DIN 6885.



Keyway Dimensions

to DIN 6885



d_2	$b_{P9/JS9}$ hole	$b_{P9/N9}$ shaft	h	$t_1 = d_2 + t_2$	t_2	$t_3 = d_2 - t_4$	t_4
7	2	2	2	8	1+0,1	5,8	1,2+0,1
8	2	2	2	9	1	6,8	1,2
9	3	3	3	10,4	1,4	7,2	1,8
10	3	3	3	11,4	1,4	8,2	1,8
11	4	4	4	12,8	1,8	8,5	2,5
12	4	4	4	13,8	1,8	9,5	2,5
13	5	5	5	15,3	2,3	10	3
14	5	5	5	16,3	2,3	11	3
15	5	5	5	17,3	2,3	12	3
16	5	5	5	18,3	2,3	13	3
17	5	5	5	19,3	2,3	14	3
18	6	6	6	20,8	2,8	14,5	3,5
20	6	6	6	22,8	2,8	16,5	3,5
22	6	6	6	24,8	2,8	18,5	3,5
24	8	8	7	27,3	3,3+0,2	20	4+0,2
25	8	8	7	28,3	3,3	21	4
26	8	8	7	29,3	3,3	22	4
28	8	8	7	31,3	3,3	24	4
30	8	8	7	33,3	3,3	26	4
32	10	10	8	35,3	3,3	27	5
34	10	10	8	37,3	3,3	29	5
35	10	10	8	38,3	3,3	30	5
36	10	10	8	39,3	3,3	31	5
38	10	10	8	41,3	3,3	33	5
40	12	12	8	43,3	3,3	35	5
42	12	12	8	45,3	3,3	37	5
44	12	12	8	47,3	3,3	39	5