

77400

HANDWHEELS

Material

Aluminium mould casting. Handle duroplast DF 31 black.
Hub machined; rim turned and mirror-finished on all sides, non-machined surfaces cleanly blasted.
For corresponding handle details see no. 75120 rotating handle.

Technical Notes

There are gripping indentations on the rear sides.
The non-machined, raw surfaces are blasted; together with the mirror-polished rim these handwheels are therefore showing a finish which in most cases does not require additional lacquering.

Temperature range up to 110°C. Also available in black plastic coated - on request.

For keyways information (dim. t_1 and b_3) to DIN 6885.

Order No.	Finish	Bore dia.	d_1	d_2 tol. H7 Small	d_2 tol. H7 Large	d_3	d_4	l_1	l_2 ≈	l_3	w_1	Weight g
77400.W0008	W/o Keyway, W/o Handle	d2 Small	80	10	12	26	-	16	26	13.0	-	130
77400.W0009	W/o Keyway, W/o Handle	d2 Large	80	10	12	26	-	16	26	13.0	-	130
77400.W0010	W/o Keyway, W/o Handle	d2 Small	100	10	12	28	-	17	30	14.0	-	203
77400.W0011	W/o Keyway, W/o Handle	d2 Large	100	10	12	28	-	17	30	14.0	-	203
77400.W0012	W/o Keyway, W/o Handle	d2 Small	125	12	14	31	-	18	33	15.0	-	307
77400.W0013	W/o Keyway, W/o Handle	d2 Large	125	12	14	31	-	18	33	15.0	-	307
77400.W0014	W/o Keyway, W/o Handle	d2 Small	140	14	16	36	-	19	36	16.5	-	430
77400.W0015	W/o Keyway, W/o Handle	d2 Large	140	14	16	36	-	19	36	16.5	-	430
77400.W0016	W/o Keyway, W/o Handle	d2 Small	160	14	16	36	-	20	39	18.0	-	540
77400.W0017	W/o Keyway, W/o Handle	d2 Large	160	14	16	36	-	20	39	18.0	-	540
77400.W0020	W/o Keyway, W/o Handle	d2 Small	200	18	20	42	-	24	45	20.5	-	849
77400.W0021	W/o Keyway, W/o Handle	d2 Large	200	18	20	42	-	24	45	20.5	-	849
77400.W0025	W/o Keyway, W/o Handle	d2 Small	250	22	26	48	-	28	51	23.5	-	1495
77400.W0026	W/o Keyway, W/o Handle	d2 Large	250	22	26	48	-	28	51	23.5	-	1495
77400.W0108	With Keyway, W/o Handle	d2 Small	80	10	12	26	-	16	26	13.0	-	139
77400.W0109	With Keyway, W/o Handle	d2 Large	80	10	12	26	-	16	26	13.0	-	139
77400.W0110	With Keyway, W/o Handle	d2 Small	100	10	12	28	-	17	30	14.0	-	190
77400.W0111	With Keyway, W/o Handle	d2 Large	100	10	12	28	-	17	30	14.0	-	190
77400.W0112	With Keyway, W/o Handle	d2 Small	125	12	14	31	-	18	33	15.0	-	291
77400.W0113	With Keyway, W/o Handle	d2 Large	125	12	14	31	-	18	33	15.0	-	291
77400.W0114	With Keyway, W/o Handle	d2 Small	140	14	16	36	-	19	36	16.5	-	413
77400.W0115	With Keyway, W/o Handle	d2 Large	140	14	16	36	-	19	36	16.5	-	413
77400.W0116	With Keyway, W/o Handle	d2 Small	160	14	16	36	-	20	39	18.0	-	529
77400.W0117	With Keyway, W/o Handle	d2 Large	160	14	16	36	-	20	39	18.0	-	529
77400.W0120	With Keyway, W/o Handle	d2 Small	200	18	20	42	-	24	45	20.5	-	880
77400.W0121	With Keyway, W/o Handle	d2 Large	200	18	20	42	-	24	45	20.5	-	880
77400.W0125	With Keyway, W/o Handle	d2 Small	250	22	26	48	-	28	51	23.0	-	1515
77400.W0126	With Keyway, W/o Handle	d2 Large	250	22	26	48	-	28	51	23.0	-	1515
77400.W0508	W/o Keyway, With Handle	d2 Small	80	10	12	26	M 6	16	26	13.0	18	160

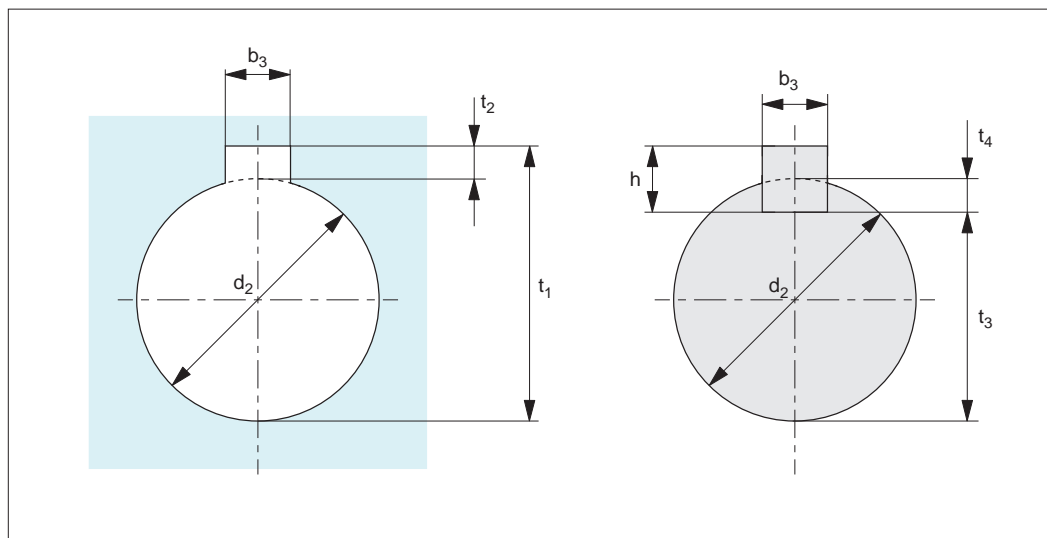


Order No.	Finish	Bore dia.	d ₁	d ₂ tol. H7/Small	d ₂ tol. H7/Large	d ₃	d ₄	l ₁	l ₂ ~	l ₃	w ₁	Weight g
77400.W0509	W/o Keyway, With Handle	d2 Large	80	10	12	26	M 6	16	26	13.0	18	160
77400.W0510	W/o Keyway, With Handle	d2 Small	100	10	12	28	M 6	17	30	14.0	21	255
77400.W0511	W/o Keyway, With Handle	d2 Large	100	10	12	28	M 6	17	30	14.0	21	255
77400.W0512	W/o Keyway, With Handle	d2 Small	125	12	14	31	M 8	18	33	15.0	23	390
77400.W0513	W/o Keyway, With Handle	d2 Large	125	12	14	31	M 8	18	33	15.0	23	390
77400.W0514	W/o Keyway, With Handle	d2 Small	140	14	16	36	M 8	19	36	16.5	23	510
77400.W0515	W/o Keyway, With Handle	d2 Large	140	14	16	36	M 8	19	36	16.5	23	510
77400.W0516	W/o Keyway, With Handle	d2 Small	160	14	16	36	M10	20	39	18.0	26	675
77400.W0517	W/o Keyway, With Handle	d2 Large	160	14	16	36	M10	20	39	18.0	26	675
77400.W0520	W/o Keyway, With Handle	d2 Small	200	18	20	42	M10	24	45	20.5	26	995
77400.W0521	W/o Keyway, With Handle	d2 Large	200	18	20	42	M10	24	45	20.5	26	995
77400.W0525	W/o Keyway, With Handle	d2 Small	250	22	26	48	M10	28	51	23.0	28	1625
77400.W0526	W/o Keyway, With Handle	d2 Large	250	22	26	48	M10	28	51	23.0	28	1625
77400.W0608	With Keyway, With Handle	d2 Small	80	10	12	26	M 6	16	26	13.0	18	160
77400.W0609	With Keyway, With Handle	d2 Large	80	10	12	26	M 6	16	26	13.0	18	160
77400.W0610	With Keyway, With Handle	d2 Small	100	10	12	28	M 6	17	30	14.0	21	255
77400.W0611	With Keyway, With Handle	d2 Large	100	10	12	28	M 6	17	30	14.0	21	255
77400.W0612	With Keyway, With Handle	d2 Small	125	12	14	31	M 8	18	33	15.0	23	390
77400.W0613	With Keyway, With Handle	d2 Large	125	12	14	31	M 8	18	33	15.0	23	390
77400.W0614	With Keyway, With Handle	d2 Small	140	14	16	36	M 8	19	36	16.5	23	510
77400.W0615	With Keyway, With Handle	d2 Large	140	14	16	36	M 8	19	36	16.5	23	510
77400.W0616	With Keyway, With Handle	d2 Small	160	14	16	36	M10	20	39	18.0	26	675
77400.W0617	With Keyway, With Handle	d2 Large	160	14	16	36	M10	20	39	18.0	26	675
77400.W0620	With Keyway, With Handle	d2 Small	200	18	20	42	M10	24	45	20.5	26	995
77400.W0621	With Keyway, With Handle	d2 Large	200	18	20	42	M10	24	45	20.5	26	995
77400.W0625	With Keyway, With Handle	d2 Small	250	22	26	48	M10	28	51	23.0	28	1625
77400.W0626	With Keyway, With Handle	d2 Large	250	22	26	48	M10	28	51	23.0	28	1625



Keyway Dimensions to DIN 6885

Knobs, Handles & Handwheels



d_2	$b_{P9/JS9}$ hole	$b_{P9/N9}$ shaft	h	$t_1 = d_2 + t_2$	t_2	$t_3 = d_2 - t_4$	t_4
7	2	2	2	8	1+0,1	5,8	1,2+0,1
8	2	2	2	9	1	6,8	1,2
9	3	3	3	10,4	1,4	7,2	1,8
10	3	3	3	11,4	1,4	8,2	1,8
11	4	4	4	12,8	1,8	8,5	2,5
12	4	4	4	13,8	1,8	9,5	2,5
13	5	5	5	15,3	2,3	10	3
14	5	5	5	16,3	2,3	11	3
15	5	5	5	17,3	2,3	12	3
16	5	5	5	18,3	2,3	13	3
17	5	5	5	19,3	2,3	14	3
18	6	6	6	20,8	2,8	14,5	3,5
20	6	6	6	22,8	2,8	16,5	3,5
22	6	6	6	24,8	2,8	18,5	3,5
24	8	8	7	27,3	3,3+0,2	20	4+0,2
25	8	8	7	28,3	3,3	21	4
26	8	8	7	29,3	3,3	22	4
28	8	8	7	31,3	3,3	24	4
30	8	8	7	33,3	3,3	26	4
32	10	10	8	35,3	3,3	27	5
34	10	10	8	37,3	3,3	29	5
35	10	10	8	38,3	3,3	30	5
36	10	10	8	39,3	3,3	31	5
38	10	10	8	41,3	3,3	33	5
40	12	12	8	43,3	3,3	35	5
42	12	12	8	45,3	3,3	37	5
44	12	12	8	47,3	3,3	39	5