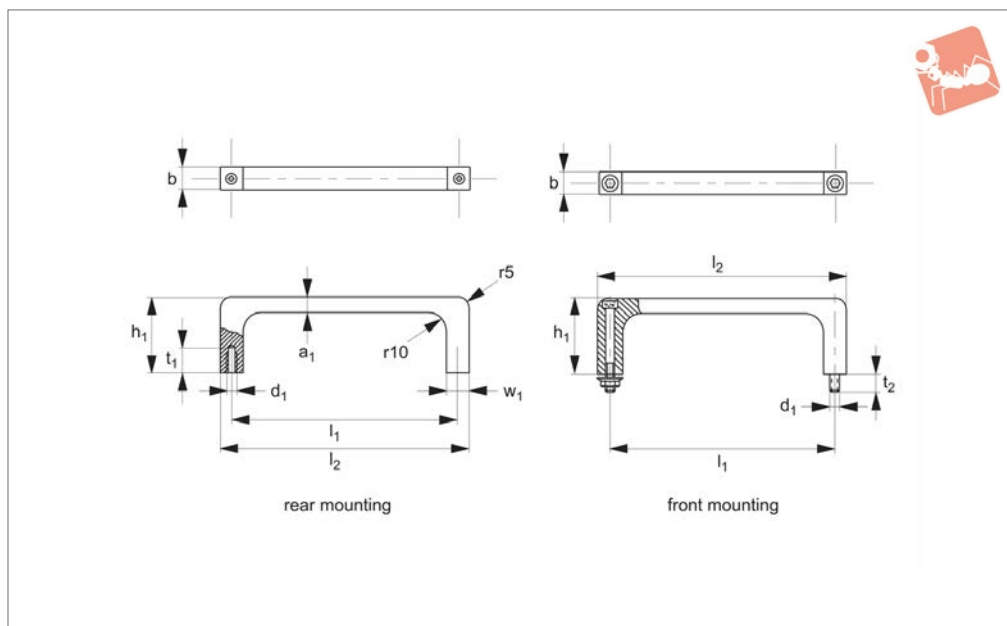


# Pull Handles - Aluminium

for 19" drawers and instrument panels



**78120**

PULL HANDLES

### Material

Profile aluminium AL Mg Si 0,5.  
Finish: vibration ground and anodized to a matt finish in natural or black colour.

Stainless steel hexagon screws to DIN 912, with self locking nuts, are supplied for front mounting type.

### Technical Notes

Minimum stress resistance 500N.

Order No.	Finish	Type	$l_1$	$w_1$	$b_1$	$h_1$	$d_1$	$l_2$	h height of front panel	$t_1$	Mounting type	$a_1$	$t_2$
78120.W0005-1	Natural	Rear Mounting	55.0	12	12	40	M 5	67.0	88.1	10	1	8	9
78120.W0008-1	Natural	Rear Mounting	88.0	12	12	40	M 5	100.	132.5	10	1	8	9
78120.W0012-1	Natural	Rear Mounting	120.0	12	12	40	M 5	132.0	177.0	10	1	8	9
78120.W0018-1	Natural	Rear Mounting	180.0	12	12	40	M 5	192.0	221.5	10	1	8	9
78120.W0023-1	Natural	Rear Mounting	235.0	12	12	40	M 5	247.0	266.0	10	1	8	9
78120.W0505-1	Natural	Rear Mounting	32.0	12	12	40	M 5	43.5	44.0	10	2	8	9
78120.W0508-1	Natural	Rear Mounting	75.5	12	12	40	M 5	87.5	88.1	10	2	8	9
78120.W0512-1	Natural	Rear Mounting	120.0	12	12	40	M 5	132.0	132.5	10	2	8	9
78120.W0523-1	Natural	Rear Mounting	253.5	12	12	40	M 5	265.5	266.0	10	2	8	9
78120.W0005-4	Black	Rear Mounting	55.0	12	12	40	M 5	67.0	88.1	10	1	8	9
78120.W0008-4	Black	Rear Mounting	88.0	12	12	40	M 5	100.0	132.5	10	1	8	9
78120.W0012-4	Black	Rear Mounting	120.0	12	12	40	M 5	132.0	177.0	10	1	8	9
78120.W0018-4	Black	Rear Mounting	180.0	12	12	40	M 5	192.0	221.5	10	1	8	9
78120.W0023-4	Black	Rear Mounting	235.0	12	12	40	M 5	247.0	266.0	10	1	8	9
78120.W0505-4	Black	Rear Mounting	32.0	12	12	40	M 5	43.5	44.0	10	2	8	9
78120.W0508-4	Black	Rear Mounting	75.5	12	12	40	M 5	87.5	88.1	10	2	8	9
78120.W0512-4	Black	Rear Mounting	120.0	12	12	40	M 5	132.0	132.5	10	2	8	9
78120.W0523-4	Black	Rear Mounting	253.5	12	12	40	M 5	265.5	266.0	10	2	8	9
78120.W0105-1	Natural	Front Mounting	55.0	12	12	40	M 5	67.0	88.1	10	1	8	9
78120.W0108-1	Natural	Front Mounting	88.0	12	12	40	M 5	100.	132.5	10	1	8	9
78120.W0112-1	Natural	Front Mounting	120.0	12	12	40	M 5	132.0	177.0	10	1	8	9
78120.W0118-1	Natural	Front Mounting	180.0	12	12	40	M 5	192.0	221.5	10	1	8	9
78120.W0123-1	Natural	Front Mounting	235.0	12	12	40	M 5	247.0	266.0	10	1	8	9
78120.W0605-1	Natural	Front Mounting	32.0	12	12	40	M 5	43.5	44.0	10	2	8	9
78120.W0608-1	Natural	Front Mounting	75.5	12	12	40	M 5	87.5	88.1	10	2	8	9
78120.W0612-1	Natural	Front Mounting	120.0	12	12	40	M 5	132.0	132.5	10	2	8	9
78120.W0623-1	Natural	Front Mounting	253.5	12	12	40	M 5	265.5	266.0	10	2	8	9
78120.W0105-4	Black	Front Mounting	55.0	12	12	40	M 5	67.0	88.1	10	1	8	9
78120.W0108-4	Black	Front Mounting	88.0	12	12	40	M 5	100.0	132.5	10	1	8	9
78120.W0112-4	Black	Front Mounting	120.0	12	12	40	M 5	132.0	177.0	10	1	8	9
78120.W0118-4	Black	Front Mounting	180.0	12	12	40	M 5	192.0	221.5	10	1	8	9
78120.W0123-4	Black	Front Mounting	235.0	12	12	40	M 5	247.0	266.0	10	1	8	9
78120.W0605-4	Black	Front Mounting	32.0	12	12	40	M 5	43.5	44.0	10	2	8	9
78120.W0608-4	Black	Front Mounting	75.5	12	12	40	M 5	87.5	88.1	10	2	8	9
78120.W0612-4	Black	Front Mounting	120.0	12	12	40	M 5	132.0	132.5	10	2	8	9



Order No.	Finish	Type	$l_1$	$w_1$	$b_1$	$h_1$	$d_1$	$l_2$	h height of front panel	$t_1$	Mounting type	$a_1$	$t_2$
<b>78120.W0623-4</b>	Black	Front Mounting	253.5	12	12	40	M 5	265.5	266.0	10	2	8	9

PULL HANDLES

