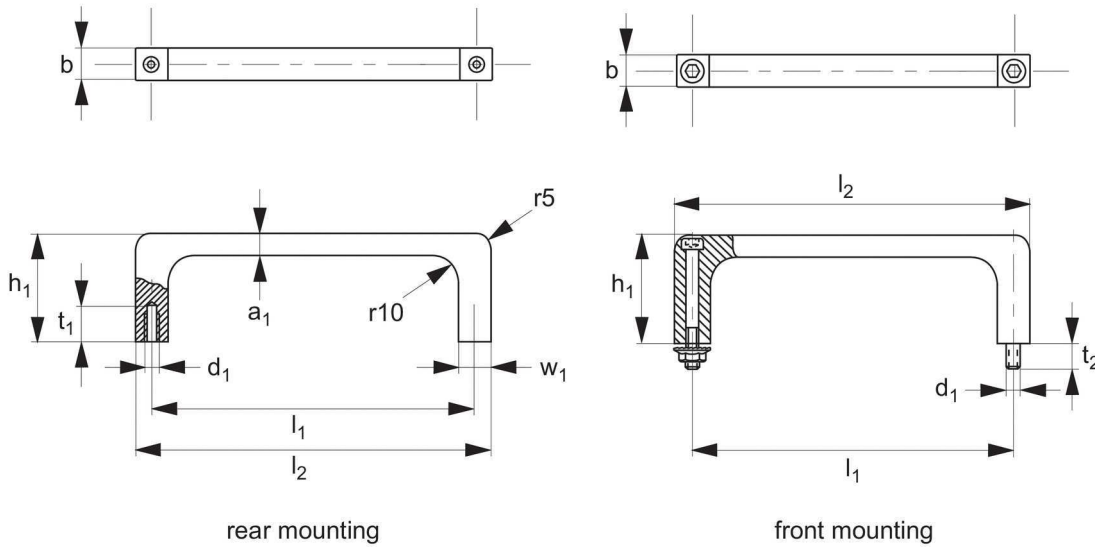


Pull Handles - Aluminium

for 19" drawers and instrument panels



78120



Material

Profile aluminium Al Mg Si 0,5.
Finish: vibration ground and anodized to a matt finish in natural or black colour. Stainless steel hexagon screws to DIN 912, with self locking nuts, are supplied for front mounting type.

Technical Notes

Minimum stress resistance 500N.



Order No.	Type	Finish	h Height of front panel	Mou ntin g type	l_1	l_2	d_1	h_1	a_1	b_1	t_1	t_2	w_1
78120.W0005-1	Rear Mounting	Natural	88,1	1	55,0	67,0	M 5	40	8	12	10	9	12
78120.W0008-1	Rear Mounting	Natural	132,5	1	88,0	100,	M 5	40	8	12	10	9	12
78120.W0012-1	Rear Mounting	Natural	177,0	1	120,0	132,0	M 5	40	8	12	10	9	12
78120.W0018-1	Rear Mounting	Natural	221,5	1	180,0	192,0	M 5	40	8	12	10	9	12
78120.W0023-1	Rear Mounting	Natural	266,0	1	235,0	247,0	M 5	40	8	12	10	9	12
78120.W0505-1	Rear Mounting	Natural	44,0	2	32,0	43,5	M 5	40	8	12	10	9	12
78120.W0508-1	Rear Mounting	Natural	88,1	2	75,5	87,5	M 5	40	8	12	10	9	12
78120.W0512-1	Rear Mounting	Natural	132,5	2	120,0	132,0	M 5	40	8	12	10	9	12
78120.W0523-1	Rear Mounting	Natural	266,0	2	253,5	265,5	M 5	40	8	12	10	9	12
78120.W0005-4	Rear Mounting	Black	88,1	1	55,0	67,0	M 5	40	8	12	10	9	12
78120.W0008-4	Rear Mounting	Black	132,5	1	88,0	100,0	M 5	40	8	12	10	9	12
78120.W0012-4	Rear Mounting	Black	177,0	1	120,0	132,0	M 5	40	8	12	10	9	12
78120.W0018-4	Rear Mounting	Black	221,5	1	180,0	192,0	M 5	40	8	12	10	9	12
78120.W0023-4	Rear Mounting	Black	266,0	1	235,0	247,0	M 5	40	8	12	10	9	12
78120.W0505-4	Rear Mounting	Black	44,0	2	32,0	43,5	M 5	40	8	12	10	9	12
78120.W0508-4	Rear Mounting	Black	88,1	2	75,5	87,5	M 5	40	8	12	10	9	12
78120.W0512-4	Rear Mounting	Black	132,5	2	120,0	132,0	M 5	40	8	12	10	9	12
78120.W0523-4	Rear Mounting	Black	266,0	2	253,5	265,5	M 5	40	8	12	10	9	12
78120.W0105-1	Front Mounting	Natural	88,1	1	55,0	67,0	M 5	40	8	12	10	9	12
78120.W0108-1	Front Mounting	Natural	132,5	1	88,0	100,	M 5	40	8	12	10	9	12
78120.W0112-1	Front Mounting	Natural	177,0	1	120,0	132,0	M 5	40	8	12	10	9	12
78120.W0118-1	Front Mounting	Natural	221,5	1	180,0	192,0	M 5	40	8	12	10	9	12
78120.W0123-1	Front Mounting	Natural	266,0	1	235,0	247,0	M 5	40	8	12	10	9	12

Pull Handles - Aluminium

for 19" drawers and instrument panels



78120

Order No.	Type	Finish	h Height of front panel	Mou ntin g type	l ₁	l ₂	d ₁	h ₁	a ₁	b ₁	t ₁	t ₂	w ₁
78120.W0605-1	Front Mounting	Natural	44,0	2	32,0	43,5	M 5	40	8	12	10	9	12
78120.W0608-1	Front Mounting	Natural	88,1	2	75,5	87,5	M 5	40	8	12	10	9	12
78120.W0612-1	Front Mounting	Natural	132,5	2	120,0	132,0	M 5	40	8	12	10	9	12
78120.W0623-1	Front Mounting	Natural	266,0	2	253,5	265,5	M 5	40	8	12	10	9	12
78120.W0105-4	Front Mounting	Black	88,1	1	55,0	67,0	M 5	40	8	12	10	9	12
78120.W0108-4	Front Mounting	Black	132,5	1	88,0	100,0	M 5	40	8	12	10	9	12
78120.W0112-4	Front Mounting	Black	177,0	1	120,0	132,0	M 5	40	8	12	10	9	12
78120.W0118-4	Front Mounting	Black	221,5	1	180,0	192,0	M 5	40	8	12	10	9	12
78120.W0123-4	Front Mounting	Black	266,0	1	235,0	247,0	M 5	40	8	12	10	9	12
78120.W0605-4	Front Mounting	Black	44,0	2	32,0	43,5	M 5	40	8	12	10	9	12
78120.W0608-4	Front Mounting	Black	88,1	2	75,5	87,5	M 5	40	8	12	10	9	12
78120.W0612-4	Front Mounting	Black	132,5	2	120,0	132,0	M 5	40	8	12	10	9	12
78120.W0623-4	Front Mounting	Black	266,0	2	253,5	265,5	M 5	40	8	12	10	9	12



Material

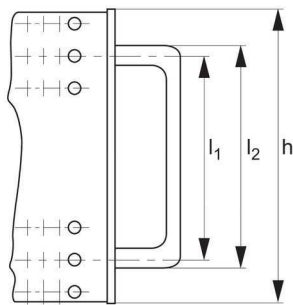
Profile aluminium Al Mg Si 0,5. Finish: vibration ground and anodized to a matt finish in natural or black colour. Stainless steel hexagon screws to DIN 912, with self locking nuts, are supplied for front mounting type.

Technical Notes

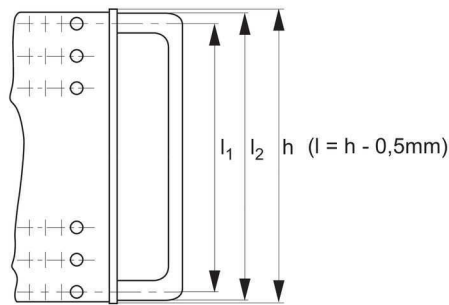
Minimum stress resistance 500N.



mounting of 19" front panels



rear mounting



front mounting