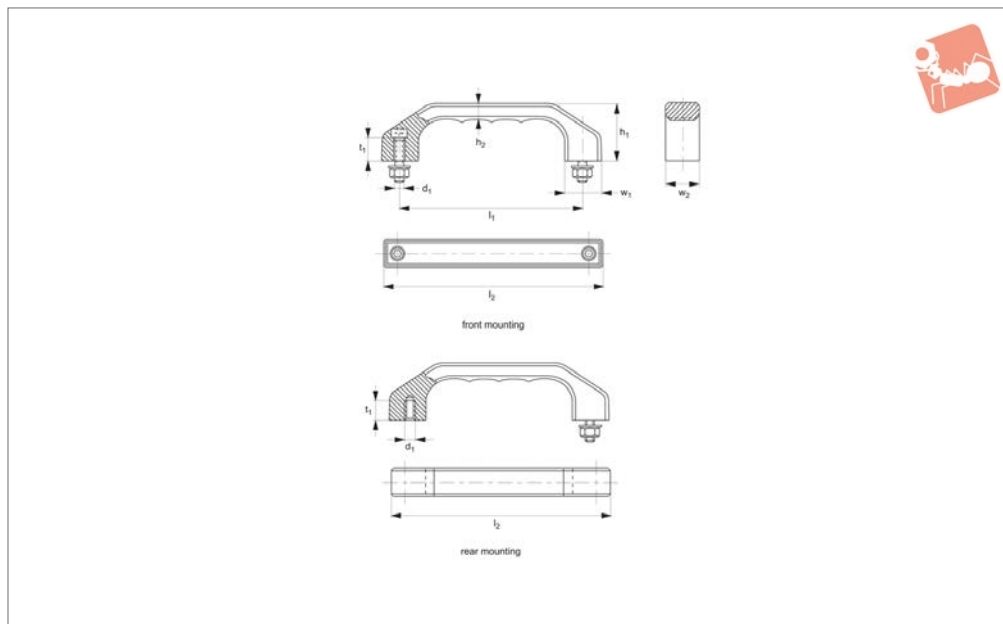




# Pull Handles - Grip type aluminium



## 78240

PULL HANDLES

### Material

Aluminium section AlMgSi 0.5. Finish: anodized in a special quality, glass ball blasted, satin finish. RHL 9002, grey,

white.

design. Minimum stress resistance >1000N.

### Technical Notes

Solid aluminium handles in industrial

Order No.	Colour	Type	$l_1$	$w_1$	$h_1$	$d_1$	$l_2$	$t_1$	$h_2$	$w_2$
78240.W0120-1	Natural	Rear Mounting	120	24	39	M 6	146	12	10.5	22
78240.W0120-4	Black	Rear Mounting	120	24	39	M 6	146	12	10.5	22
78240.W0140-1	Natural	Rear Mounting	140	28	45	M 8	170	15	12.0	25
78240.W0140-4	Black	Rear Mounting	140	28	45	M 8	170	15	12.0	25
78240.W0160-1	Natural	Rear Mounting	160	32	52	M 8	194	15	13.5	28
78240.W0160-4	Black	Rear Mounting	160	32	52	M 8	194	15	13.5	28
78240.W0220-1	Natural	Front Mounting	120	24	39	M 6	146	12	10.5	22
78240.W0220-4	Black	Front Mounting	120	24	39	M 6	146	12	10.5	22
78240.W0240-1	Natural	Front Mounting	140	28	45	M 8	170	15	12.0	25
78240.W0240-4	Black	Front Mounting	140	28	45	M 8	170	15	12.0	25
78240.W0260-1	Natural	Front Mounting	160	32	52	M 8	194	15	13.5	28
78240.W0260-4	Black	Front Mounting	160	32	52	M 8	194	15	13.5	28