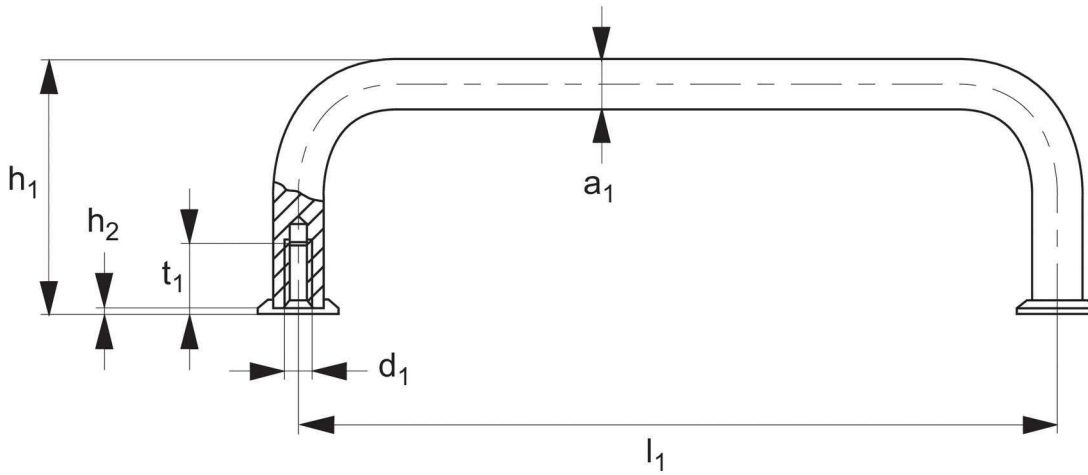


Pull Handles

steel



78700



Material

Round steel bar.
Finish: precision ground and high gloss chromium plated surface.
Chromium coloured brass cover washers included.

Technical Notes

Minimum stress resistance 1000N.

Order No.	l_1	a_1 \emptyset	h_1	h_2	d_1	t_1
78700.W0003	32	5	21	1	M 3	6
78700.W0004	42	5	25	1	M 3	6
78700.W0005	55	5	25	1	M 3	6
78700.W0007	76	5	25	1	M 3	6
78700.W0008	88	5	25	1	M 3	6
78700.W0103	32	8	33	1	M 4	8
78700.W0105	55	8	33	1	M 4	8
78700.W0106	64	8	33	1	M 4	8
78700.W0108	88	8	33	1	M 4	8
78700.W0109	96	8	33	1	M 4	8
78700.W0110	102	8	33	1	M 4	8
78700.W0112	120	8	33	1	M 4	8
78700.W0113	128	8	33	1	M 4	8
78700.W0114	136	8	33	1	M 4	8
78700.W0505	55	10	41	1	M 5	10
78700.W0508	88	10	41	1	M 5	10
78700.W0509	100	10	41	1	M 5	10
78700.W0510	102	10	41	1	M 5	10
78700.W0511	115	10	41	1	M 5	10
78700.W0512	120	10	41	1	M 5	10
78700.W0514	136	10	41	1	M 5	10
78700.W0518	180	10	41	1	M 5	10
78700.W0520	200	10	41	1	M 5	10
78700.W0523	235	10	41	1	M 5	10
78700.W0525	250	10	41	1	M 5	10