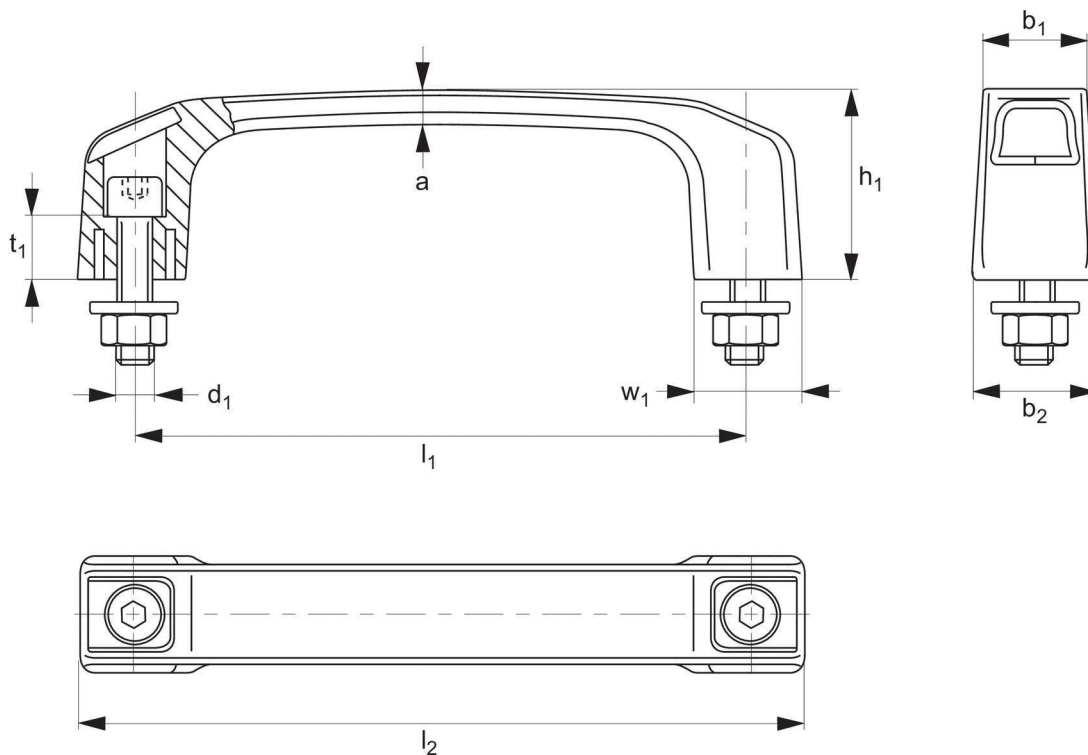


# Pull Handles

plastic, with coloured caps



# 79100



### Material

Handle: thermoplastic PA 6 glass-ball reinforced. Matt black with attractive fine-grain structure. Blanking caps: in the same surface structure available in black, red, green, blue and yellow.

### Technical Notes

Includes electrogalvanized socket-head cap bolts DIN 912, nuts DIN 934 and washers DIN 125. Minimum stress resistance 1000N.

### Tips

Red - similar to RAL 3020  
Green - similar to RAL 6024  
Blue - similar to RAL 5017  
Yellow - similar to RAL 1023



Order No.	Cap Colour	$l_1$	$l_2$	$d_1$	$t_1$	$h_1$	$b_1$	$b_2$	$a$	$w_1$
79100.W0120-9	Black	120	141	M 6x25	13	39	21	24	7	21
79100.W0140-9	Black	140	164	M 8x30	15	45	24	28	8	24
79100.W0120-3	Red	120	141	M 6x25	13	39	21	24	7	21
79100.W0140-3	Red	140	164	M 8x30	15	45	24	28	8	24
79100.W0120-6	Green	120	141	M 6x25	13	39	21	24	7	21
79100.W0140-6	Green	140	164	M 8x30	15	45	24	28	8	24
79100.W0120-5	Blue	120	141	M 6x25	13	39	21	24	7	21
79100.W0140-5	Blue	140	164	M 8x30	15	45	24	28	8	24
79100.W0120-1	Yellow	120	141	M 6x25	13	39	21	24	7	21
79100.W0140-1	Yellow	140	164	M 8x30	15	45	24	28	8	24
79100.W0120-0	W/o Caps & Screws	120	141	M 6x25	13	39	21	24	7	21
79100.W0140-0	W/o Caps & Screws	140	164	M 8x30	15	45	24	28	8	24