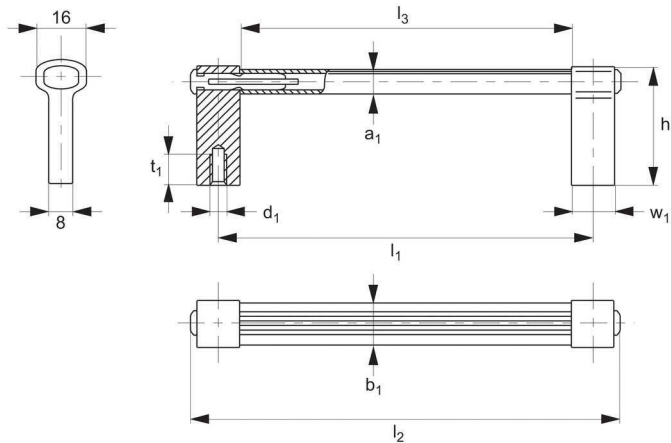


# Pull Handles - Heavy Duty

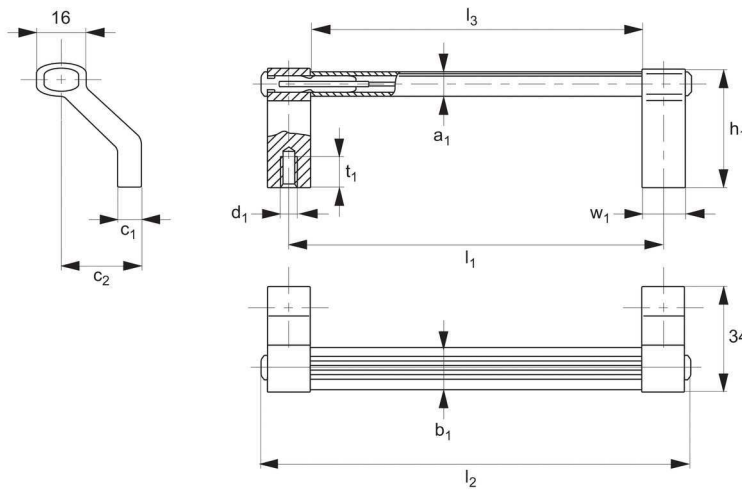
aluminium



# 79200



straight type



off-set type



### Material

Handle shank and grip: profiled aluminium AL Mg Si 0,5. Connecting moulded components made of black polyamide with stainless steel pin. Handle shank vibration ground and matte finished. Grip

### Technical Notes

Minimum stress resistance 1000N. Handle with tangent bent aluminium shanks, completely assembled.

### Tips

For 19" front panels and appliances. Provides high stability under load. Black grips available on request.



Order No. Shank & Grip Natural	Order No. Shank & Grip Black	Type	$l_1$	$l_2$	$l_3$	$a_1$	$h_1$	$d_1$	$t_1$	$b_1$	$c_1$	$c_2$	$w_1$
79200.W0055-0	79200.W0055-1	Straight	55	73	41	9	40	M 5	10	14	-	-	14
79200.W0069-0	79200.W0069-1	Straight	69	87	55	9	40	M 5	10	14	-	-	14
79200.W0088-0	79200.W0088-1	Straight	88	106	74	9	40	M 5	10	14	-	-	14
79200.W0100-0	79200.W0100-1	Straight	100	118	86	9	40	M 5	10	14	-	-	14
79200.W0114-0	79200.W0114-1	Straight	114	132	100	9	40	M 5	10	14	-	-	14
79200.W0120-0	79200.W0120-1	Straight	120	138	104	9	40	M 5	10	14	-	-	14
79200.W0180-0	79200.W0180-1	Straight	180	198	166	9	40	M 5	10	14	-	-	14
79200.W0555-0	79200.W0555-1	Offset	55	73	41	9	40	M 5	10	14	8	22	14
79200.W0569-0	79200.W0569-1	Offset	69	87	55	9	40	M 5	10	14	8	22	14
79200.W0588-0	79200.W0588-1	Offset	88	106	74	9	40	M 5	10	14	8	22	14
79200.W0600-0	79200.W0600-1	Offset	100	118	86	9	40	M 5	10	14	8	22	14
79200.W0614-0	79200.W0614-1	Offset	114	132	100	9	40	M 5	10	14	8	22	14
79200.W0620-0	79200.W0620-1	Offset	120	138	104	9	40	M 5	10	14	8	22	14

# Pull Handles - Heavy Duty

aluminium



# 79200

Order No. Shank & Grip Natural	Order No. Shank & Grip Black	Type	l <sub>1</sub>	l <sub>2</sub>	l <sub>3</sub>	a <sub>1</sub>	h <sub>1</sub>	d <sub>1</sub>	t <sub>1</sub>	b <sub>1</sub>	c <sub>1</sub>	c <sub>2</sub>	w <sub>1</sub>
79200.W0680-0	79200.W0680-1	Offset	180	198	166	9	40	M 5	10	14	8	22	14



### Material

Handle shank and grip: profiled aluminium AL Mg Si 0,5. Connecting moulded components made of black polyamide with stainless steel pin. Handle shank vibration ground and matte finished. Grip

### Technical Notes

Minimum stress resistance 1000N. Handle with tangent bent aluminium shanks, completely assembled.

### Tips

For 19" front panels and appliances. Provides high stability under load. Black grips available on request.

