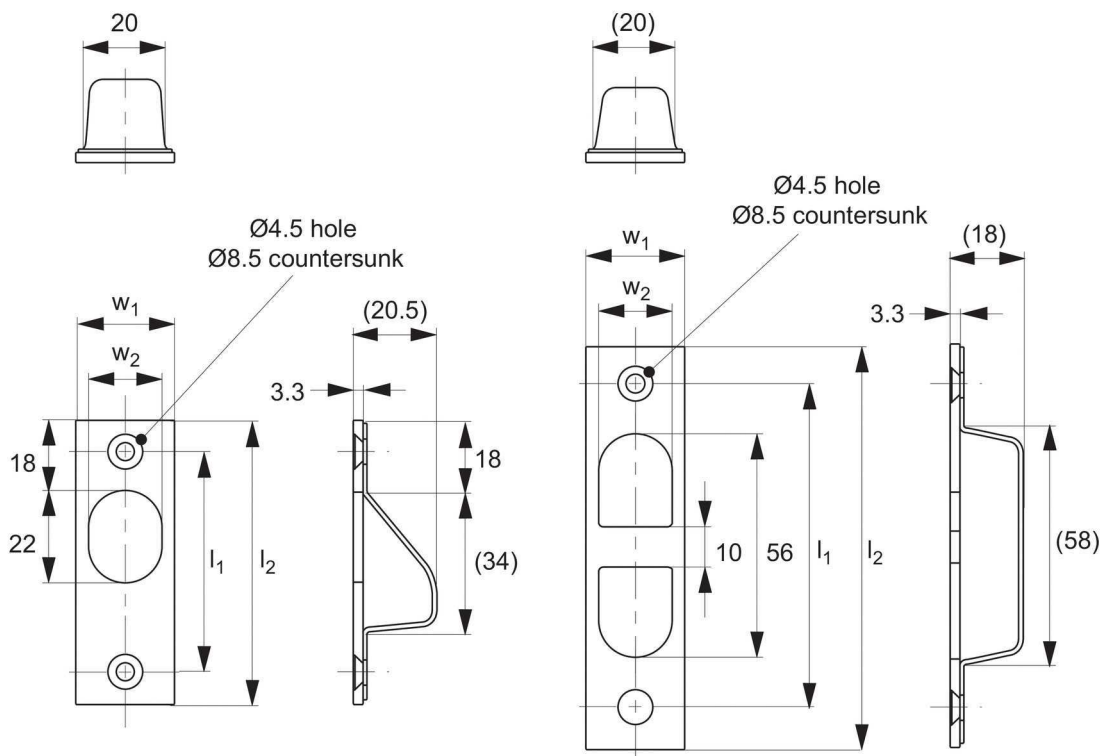


# Finger Pulls, Recessed

stainless steel



# 79430



79430.W0070

79430.W0100



**Material**

AISI 304 stainless steel, satin finish.

**Technical Notes**

Compact finger pulls, for doors/enclosures of minimum thickness 30mm.



Order No.	Type	$l_1$	$l_2$	$w_1$	$w_2$	$\frac{\Delta}{g}$
79430.W0070	Type one	54	70	24	18	37
79430.W0100	Type two	80	100	24	18	45

installation dimensions:

