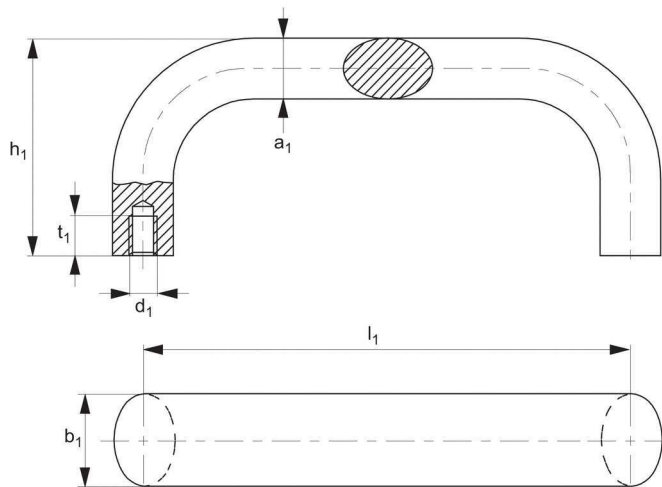


type one



type two

Material

Oval profiled aluminium AlMgSi 0.5. Vibration ground and powder coated in RAL 9002 grey white.

Technical Notes

Minimum stress resistance >1000N.

Tips

Especially suited for food and medical industries. Other RAL shades available on request.



Order No.	Type	l_1	d_1	h_1	a_1	b_1	t_1
79820.W0010	Type One	100	M 6	50	13	20	12
79820.W0013	Type One	128	M 6	50	13	20	12
79820.W0016	Type One	160	M 6	50	13	20	12
79820.W0114	Type Two	140	M 8	55	17	26	14
79820.W0116	Type Two	160	M 8	55	17	26	14
79820.W0118	Type Two	180	M 8	55	17	26	14
79820.W0119	Type Two	192	M 8	55	17	26	14
79820.W0135	Type Two	350	M 8	55	17	26	14