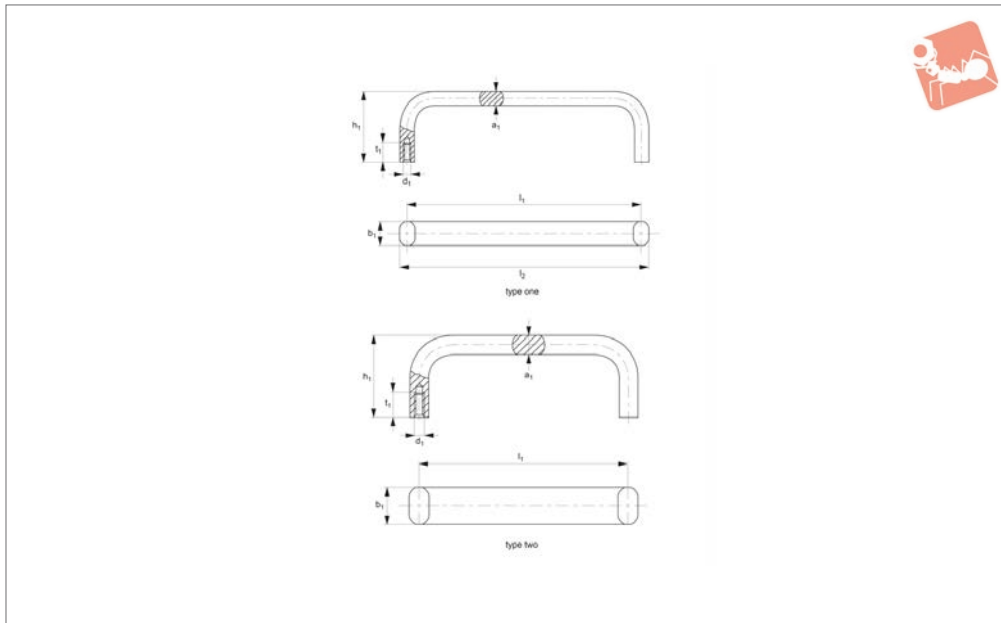




# Pull Handles

aluminium, Clean line



**79830**

PULL HANDLES

### Material

Flat-oval profiled aluminum AlMgSi 0.5.  
Vibration ground and powder coated in RAL 9002 grey white.

### Tips

Especially suited for food and medical industries. Other RAL shades are available on request.

### Technical Notes

Minimum stress resistance 500N.

Order No.	Type	$l_1$	$l_2$	$d_1$	$a_1$	$b_1$	$h_1$	$t_1$
79830.W0005	Type One	55	63	M 5	8	12	40	10
79830.W0008	Type One	88	96	M 5	8	12	40	10
79830.W0010	Type One	100	108	M 5	8	12	40	10
79830.W0012	Type One	120	128	M 5	8	12	40	10
79830.W0018	Type One	180	188	M 5	8	12	40	10
79830.W0020	Type One	200	208	M 5	8	12	40	10
79830.W0023	Type One	235	243	M 5	8	12	40	10
79830.W0025	Type One	250	258	M 5	8	12	40	10
79830.W0112	Type Two	120	130	M 5	10	20	45	10
79830.W0114	Type Two	140	150	M 5	10	20	45	10
79830.W0118	Type Two	180	190	M 5	10	20	45	10
79830.W0120	Type Two	200	210	M 5	10	20	45	10
79830.W0135	Type Two	350	360	M 6	10	20	45	12