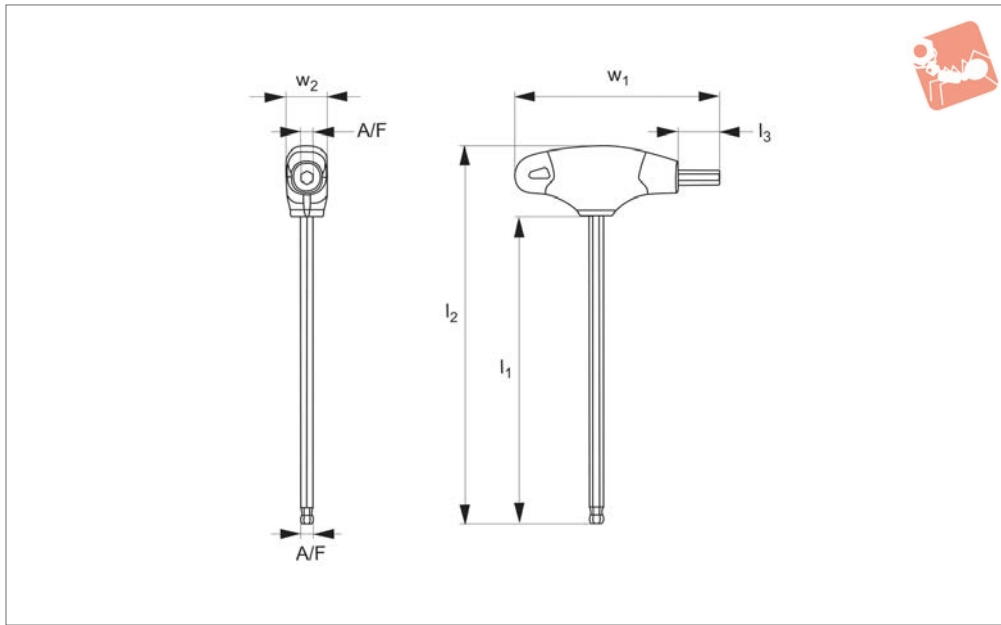




# T-Handled Double Hex. Metric

## Hex Keys & Wrenches



### 90370

HEX KEYS & WRENCHES

#### Material

Blade: steel, hardened chrome vanadium, nickel plated, with black tip.  
 Grip: ergonomic soft red plastic.

#### Technical Notes

Long arm, with ball end hexagon, for speed.  
 Short arm, standard hexagon, for final

tightening.

Order No.	$l_1$	$l_2$	$l_3$	$w_1$	$w_2$	A/F	Weight g
90370.W0031	125	151	15	75	16	3	25
90370.W0041	125	151	15	75	16	4	33
90370.W0051	150	184	20	100	21	5	60
90370.W0061	150	184	20	100	21	6	83