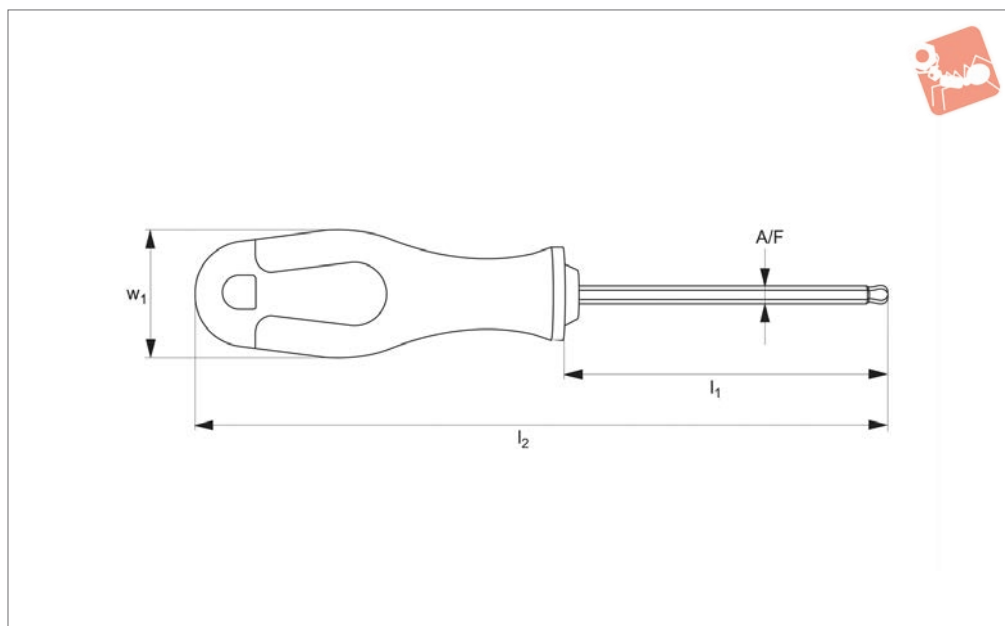




Ball-Ended Hex. Keys straight handle

Hex Keys & Wrenches



90510

HEX KEYS & WRENCHES

Material

Blade: steel, hardened chrome vanadium, nickel plated

Handle: ergonomic red plastic, with soft black grip.

Order No.	l_1	l_2	w_1	A/F	Weight g
90510.W0002	100	190	19	2.5	35
90510.W0003	100	190	19	3.0	35
90510.W0004	100	200	21	4.0	50
90510.W0005	100	200	21	5.0	75