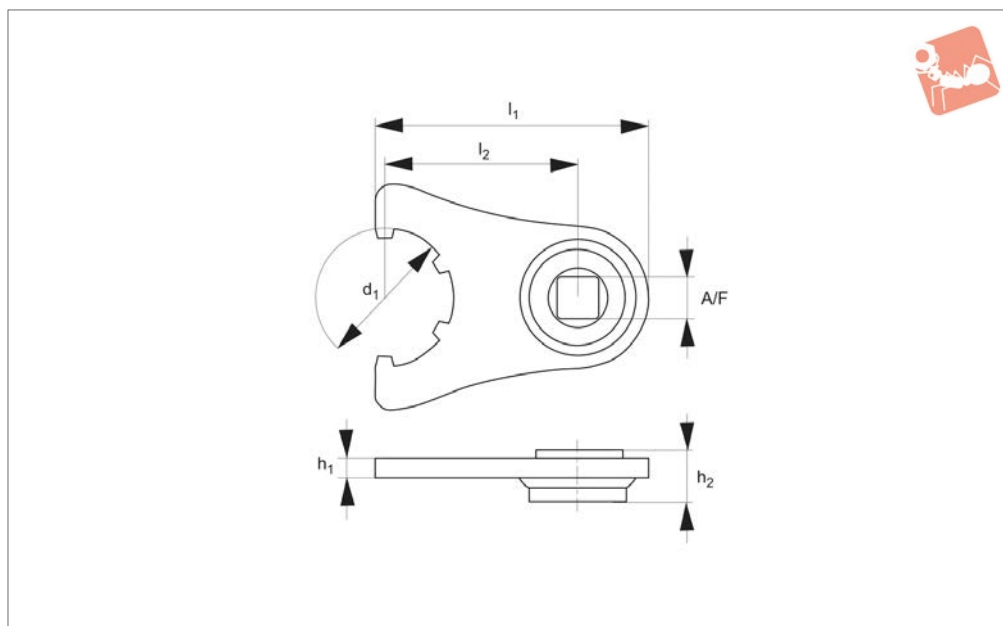




Collet Spanner

for use with torque wrench

Spanners & Hook Spanners



92121

SPANNERS & HOOK SPANNERS

Material

Special steel, hardened and zinc-plated.

Technical Notes

Controlled tightening prevents damage to spindle changing tools on machines.

Order No.	Size	A/F	d ₁	h ₁	h ₂	l ₁	l ₂	Weight g
92121.W0016	16	1/2"	32	5	16	69	45	140
92121.W0025	25	1/2"	42	6	16	85	60	200
92121.W0032	32	1/2"	50	6	16	85	60	215
92121.W0040	40	1/2"	63	6	16	85	60	220