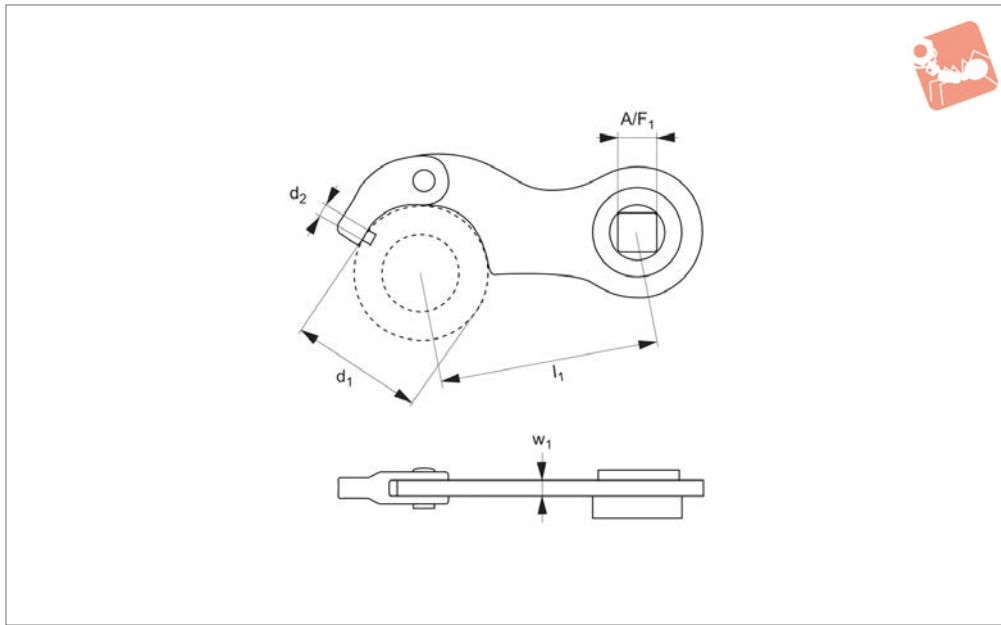




# Hook Spanners - with Pin Nose hinge type - for use with torque wrench



**95154**

### Material

Special steel, hardened and blued.  
Drive: square socket.

### Technical Notes

For nuts with radial holes to DIN 1816.

Order No.	d <sub>1</sub> min.   max.	A/F	d <sub>2</sub>	l <sub>1</sub>	w <sub>1</sub>	Weight g
95154.W0160	35-60	1/2"	4	75	5	185
95154.W0191	60-90	1/2"	6	100	6	320