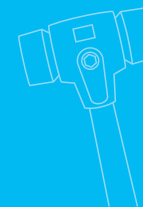
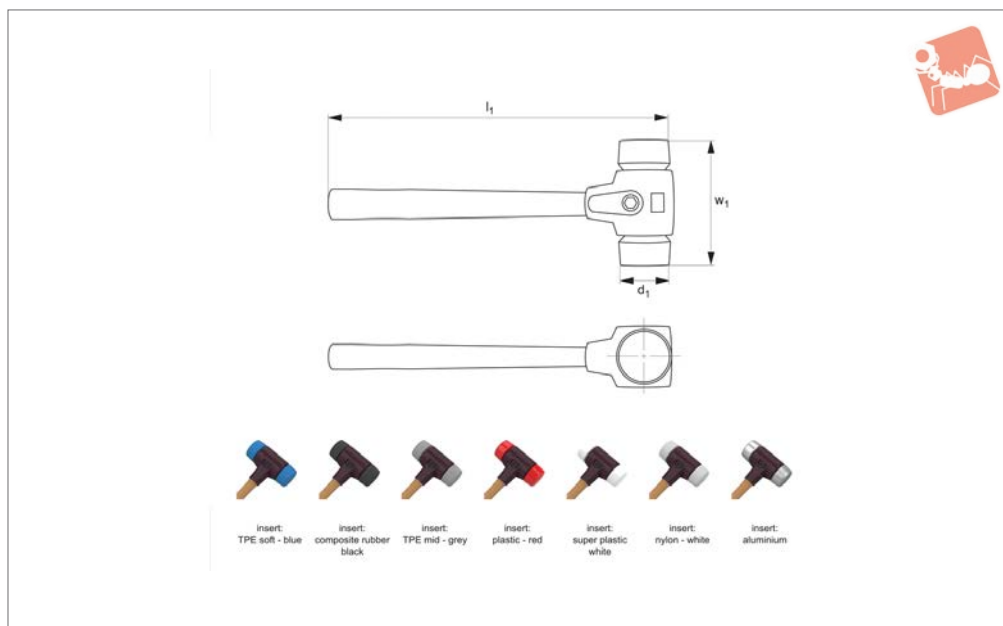


Simplex Mallets - Complete

cast iron housing - wooden handle



Mallets & Hammers



98001

MALLETS & HAMMERS

Material

Handle: wood.
Housing: cast iron.
Inserts: see table.

Technical Notes

For full details of inserts see part no.

98004.

Tips

Simplex mallets are a flexible modular system with replaceable handle, housing and inserts. Suitable replacement items for Simplex Mallet 98001 are;

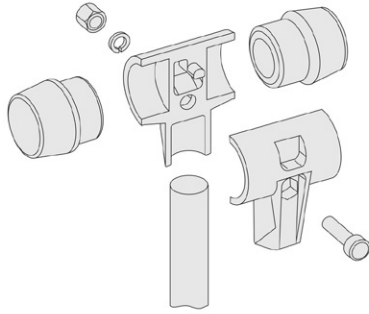
- handle no. 98003
- housing no. 98002
- inserts no. 98004

Order No.	Inserts	Ø d ₁	w ₁	l ₁	Weight g
98001.W0130	TPE Soft - Blue	30	90	300	345
98001.W0140	TPE Soft - Blue	40	110	330	620
98001.W0150	TPE Soft - Blue	50	135	350	1170
98001.W0160	TPE Soft - Blue	60	145	405	1530
98001.W0230	Composite Rubber - Black	30	90	300	340
98001.W0240	Composite Rubber - Black	40	110	330	650
98001.W0250	Composite Rubber - Black	50	135	350	1170
98001.W0260	Composite Rubber - Black	60	145	405	1600
98001.W0280	Composite Rubber - Black	80	175	490	2950
98001.W0330	TPE - Mid Grey	30	90	300	335
98001.W0340	TPE - Mid Grey	40	110	330	600
98001.W0350	TPE - Mid Grey	50	135	350	1070
98001.W0360	TPE - Mid Grey	60	145	405	1420
98001.W0430	Plastic - Red	30	90	300	345
98001.W0440	Plastic - Red	40	110	330	635
98001.W0450	Plastic - Red	50	135	350	1120
98001.W0460	Plastic - Red	60	145	405	1520
98001.W0530	Superplastic - White	30	90	300	320
98001.W0540	Superplastic - White	40	110	330	610
98001.W0550	Superplastic - White	50	135	350	1040
98001.W0560	Superplastic - White	60	145	405	1440
98001.W0580	Superplastic - White	80	175	490	2660
98001.W0630	Nylon - White	30	90	300	340
98001.W0640	Nylon - White	40	110	330	650
98001.W0650	Nylon - White	50	135	350	1130
98001.W0660	Nylon - White	60	145	405	1500
98001.W0680	Nylon - White	80	175	490	2880
98001.W0730	Aluminium	30	90	300	400
98001.W0740	Aluminium	40	110	330	750
98001.W0750	Aluminium	50	135	350	1380
98001.W0760	Aluminium	60	145	405	1950



Order No.	Inserts	$\varnothing d_1$	w_1	l_1	Weight g
98001.W0780	Aluminium	80	175	490	3860

MALLETS & HAMMERS



modular system houses different inserts, allowing the mallets to be customised for your applicators.



Application Selection Chart

Application selection chart

TPE-soft	Com-posite rubber	TPE-mid	Plastic	Super plastic	Nylon	Alu	Copper	98301 wood	98301 steel	98301 fibre	98310	98321	98401	98330
Soft	Med	Med	Hard	Med	Hard	Hard	Hard							
Range of inserts for Simplex mallets 98001 to 98224								Range of mallet handle types						

Construction applications

	TPE-soft	Com-posite rubber	TPE-mid	Plastic	Super plastic	Nylon	Alu	Copper	98301 wood	98301 steel	98301 fibre	98310	98321	98401	98330
Paving		•	•		•										
Floor tiling	•		•												
Curbstone setting / Masonry work		•			•										
Concrete form set-up		•		•											
Scaffold construction		•		•	•	•									
Tent and hall construction					•	•			•						
Gardening and landscaping		•			•										
Home construction		•	•												

Metal-working industry applications

	TPE-soft	Com-posite rubber	TPE-mid	Plastic	Super plastic	Nylon	Alu	Copper	98301 wood	98301 steel	98301 fibre	98310	98321	98401	98330
Automotive assembly and repair work				•	•	•	•	•	•	•	•	•	•	•	•
Positioning of workpieces in a vice									•	•	•	•	•		
Straightening work							•		•	•	•	•			
Joining of workpieces						•			•	•	•	•		•	•
Repair and maintenance work				•				•	•	•	•	•		•	•
Car body work				•	•		•		•	•	•	•	•		•
Sheet metal working				•	•	•			•	•	•	•	•		•
Dent removal	•	•		•	•	•						•	•		•
Housing assembly					•	•			•	•	•		•	•	•
Mould construction						•	•								•
Assembly of sharp-edged workpieces					•	•			•	•	•				•

Wood-working applications

	TPE-soft	Com-posite rubber	TPE-mid	Plastic	Super plastic	Nylon	Alu	Copper	98301 wood	98301 steel	98301 fibre	98310	98321	98401	98330
Furniture assembly	•		•										•		•
Window and door construction	•		•										•		•
Prefabricated house construction		•													
Joiner's work	•		•										•		•
Carpenter's work		•													
Floor parqueting / laminating													•		

Agriculture and forestry applications

	TPE-soft	Com-posite rubber	TPE-mid	Plastic	Super plastic	Nylon	Alu	Copper	98301 wood	98301 steel	98301 fibre	98310	98321	98401	98330
Fence construction		•							•						
Wood splitting with wedge					•				•						
Maintenance and repair work on agricultural machinery						•			•						•