

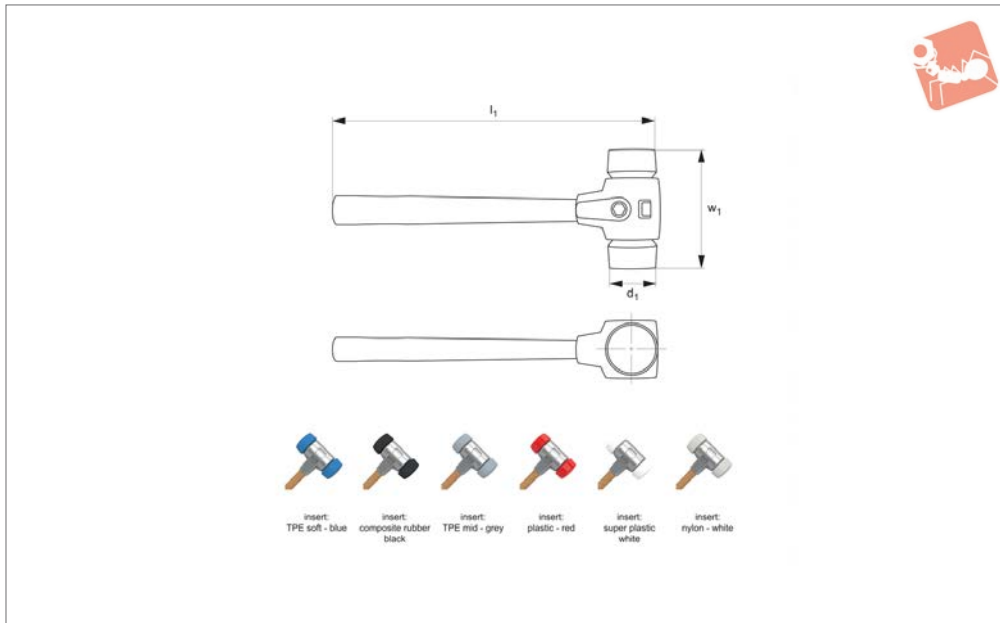


# Simplex Mallets - Complete

light alloy housing - wooden handle



## Mallets & Hammers



**98021**

MALLETS & HAMMERS

### Material

Handle: wood.  
Housing: light alloy.  
Inserts: see table.

### Technical Notes

For full range of inserts see part no. 98004.

### Tips

Simplex mallets are a flexible modular system with replaceable handle, housing and inserts. Suitable replacement items for Simplex Mallet 98021 are;

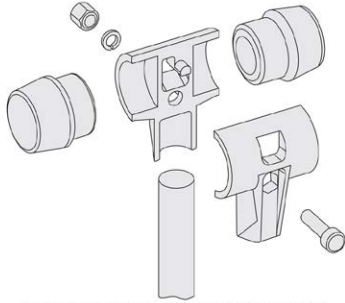
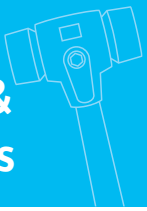
- handle no. 98003

- housing no. 98022  
- inserts no. 98004

### Important Notes

Soft metal inserts (nos. 98004.W0733-W0788) must not be used in light alloy housing mallets.

Order No.	Insert type	Ø d <sub>1</sub>	w <sub>1</sub>	l <sub>1</sub>	Weight g
98021.W0130	TPE - Soft Blue	30	90	300	200
98021.W0140	TPE - Soft Blue	40	110	330	360
98021.W0150	TPE - Soft Blue	50	135	350	655
98021.W0160	TPE - Soft Blue	60	145	405	825
98021.W0230	TPE - Rubber	30	90	300	210
98021.W0240	TPE - Rubber	40	110	330	405
98021.W0250	TPE - Rubber	50	135	350	740
98021.W0260	TPE - Rubber	60	145	405	980
98021.W0330	TPE - Mid Grey	30	90	300	205
98021.W0340	TPE - Mid Grey	40	110	330	360
98021.W0350	TPE - Mid Grey	50	135	350	635
98021.W0360	TPE - Mid Grey	60	145	405	825
98021.W0430	Plastic - Red	30	90	300	205
98021.W0440	Plastic - Red	40	110	330	390
98021.W0450	Plastic - Red	50	135	350	635
98021.W0460	Plastic - Red	60	145	405	920
98021.W0530	Superplastic - White	30	90	300	215
98021.W0540	Superplastic - White	40	110	330	360
98021.W0550	Superplastic - White	50	135	350	675
98021.W0560	Superplastic - White	60	145	405	855
98021.W0630	Nylon - White	30	90	300	215
98021.W0640	Nylon - White	40	110	330	395
98021.W0650	Nylon - White	50	135	350	720
98021.W0660	Nylon - White	60	145	405	930



modular system houses different inserts, allowing the mallets to be customised for your applications





## Application Selection Chart

Application selection chart

														
TPE-soft	Com-posite rubber	TPE-mid	Plastic	Super plastic	Nylon	Alu	Copper	98301 wood	98301 steel	98301 fibre	98310	98321	98401	98330
Soft	Med	Med	Hard	Med	Hard	Hard	Hard							
Range of inserts for Simplex mallets 98001 to 98224								Range of mallet handle types						

### Construction applications

	TPE-soft	Com-posite rubber	TPE-mid	Plastic	Super plastic	Nylon	Alu	Copper	98301 wood	98301 steel	98301 fibre	98310	98321	98401	98330
Paving		•	•		•										
Floor tiling	•		•												
Curbstone setting / Masonry work		•			•										
Concrete form set-up		•		•											
Scaffold construction		•		•	•	•									
Tent and hall construction					•	•			•						
Gardening and landscaping		•			•										
Home construction		•	•												

### Metal-working industry applications

	TPE-soft	Com-posite rubber	TPE-mid	Plastic	Super plastic	Nylon	Alu	Copper	98301 wood	98301 steel	98301 fibre	98310	98321	98401	98330
Automotive assembly and repair work				•	•	•	•	•	•	•	•	•	•	•	•
Positioning of workpieces in a vice									•	•	•	•	•		
Straightening work							•		•	•	•	•			
Joining of workpieces						•			•	•	•	•		•	•
Repair and maintenance work				•				•	•	•	•	•		•	•
Car body work				•	•		•		•	•	•	•	•		•
Sheet metal working				•	•	•			•	•	•	•	•		•
Dent removal	•	•		•	•	•						•	•		•
Housing assembly					•	•			•	•	•		•	•	•
Mould construction						•	•								•
Assembly of sharp-edged workpieces					•	•			•	•	•				•

### Wood-working applications

	TPE-soft	Com-posite rubber	TPE-mid	Plastic	Super plastic	Nylon	Alu	Copper	98301 wood	98301 steel	98301 fibre	98310	98321	98401	98330
Furniture assembly	•		•										•		•
Window and door construction	•		•										•		•
Prefabricated house construction		•													
Joiner's work	•		•										•		•
Carpenter's work		•													
Floor parqueting / laminating													•		

### Agriculture and forestry applications

	TPE-soft	Com-posite rubber	TPE-mid	Plastic	Super plastic	Nylon	Alu	Copper	98301 wood	98301 steel	98301 fibre	98310	98321	98401	98330
Fence construction		•							•						
Wood splitting with wedge					•				•						
Maintenance and repair work on agricultural machinery						•			•						•