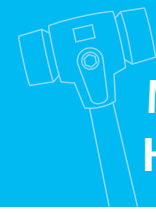


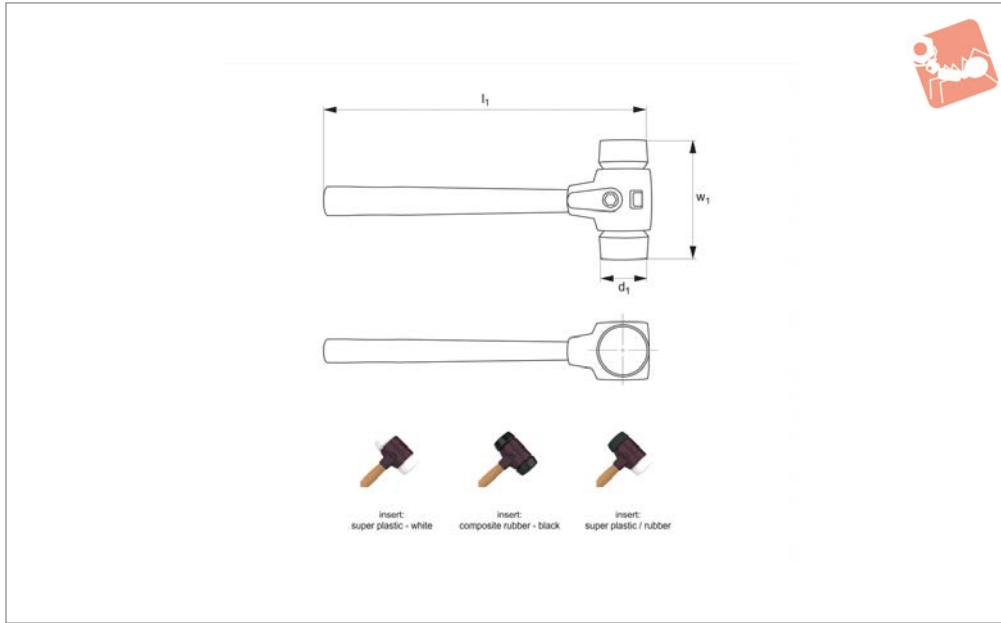


# Simplex Sledge Hammer - Complete

cast iron housing - wooden handle



## Mallets & Hammers



**98201**

MALLETS & HAMMERS

### Material

Handle: wood.  
Housing: cast iron.  
Inserts: see table.

modular system with replaceable handle, housing and inserts. Suitable replacement items for Simplex sledge hammer 98201 are;

- inserts no. 98204

### Tips

Simplex sledge hammers are a flexible

- handle no. 98202
- housing no. 98002

Order No.	Inserts	Ø d <sub>1</sub>	w <sub>1</sub>	l <sub>1</sub>	Weight g
98201.W0081	Superplastic - White	80	175	800	3090
98201.W0100	Superplastic - White	100	200	1000	5200
98201.W0125	Superplastic - White	125	215	1040	7700
98201.W0140	Superplastic - White	140	215	1045	7900
98201.W1081	Composite Rubber - Black	80	175	800	3270
98201.W1100	Composite Rubber - Black	100	200	1000	5500
98201.W2081	Composite Rubber Superplastic	80	175	800	3170
98201.W2100	Composite Rubber Superplastic	100	200	1000	5350





Application Selection Chart

MALLETS & HAMMERS

**Application selection chart**

TPE-soft	Composite rubber	TPE-mid	Plastic	Super plastic	Nylon	Alu	Copper	98301 wood	98301 steel	98301 fibre	98310	98321	98401	98330
Soft	Med	Med	Hard	Med	Hard	Hard	Hard							
Range of inserts for Simplex mallets 98001 to 98224								Range of mallet handle types						

**Construction applications**

Paving		•	•		•										
Floor tiling	•		•												
Curbstone setting / Masonry work		•			•										
Concrete form set-up		•		•											
Scaffold construction		•		•	•	•									
Tent and hall construction					•	•		•							
Gardening and landscaping		•			•										
Home construction		•	•												

**Metal-working industry applications**

Automotive assembly and repair work				•	•	•	•	•	•	•	•	•	•	•	•
Positioning of workpieces in a vice								•	•	•	•	•			
Straightening work						•		•	•	•	•				
Joining of workpieces						•		•	•	•	•			•	•
Repair and maintenance work				•			•	•	•	•	•			•	•
Car body work				•	•		•	•	•	•	•	•	•	•	•
Sheet metal working				•	•	•		•	•	•	•	•	•		•
Dent removal	•	•		•	•	•					•	•	•	•	•
Housing assembly					•	•		•	•	•		•	•	•	•
Mould construction						•	•								•
Assembly of sharp-edged workpieces					•	•		•	•	•					•

**Wood-working applications**

Furniture assembly	•		•										•		•
Window and door construction	•		•										•		•
Prefabricated house construction		•													
Joiner's work	•		•										•		•
Carpenter's work		•													
Floor parqueting / laminating													•		

**Agriculture and forestry applications**

Fence construction		•			•			•							
Wood splitting with wedge					•			•							
Maintenance and repair work on agricultural machinery						•		•							•