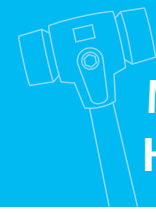


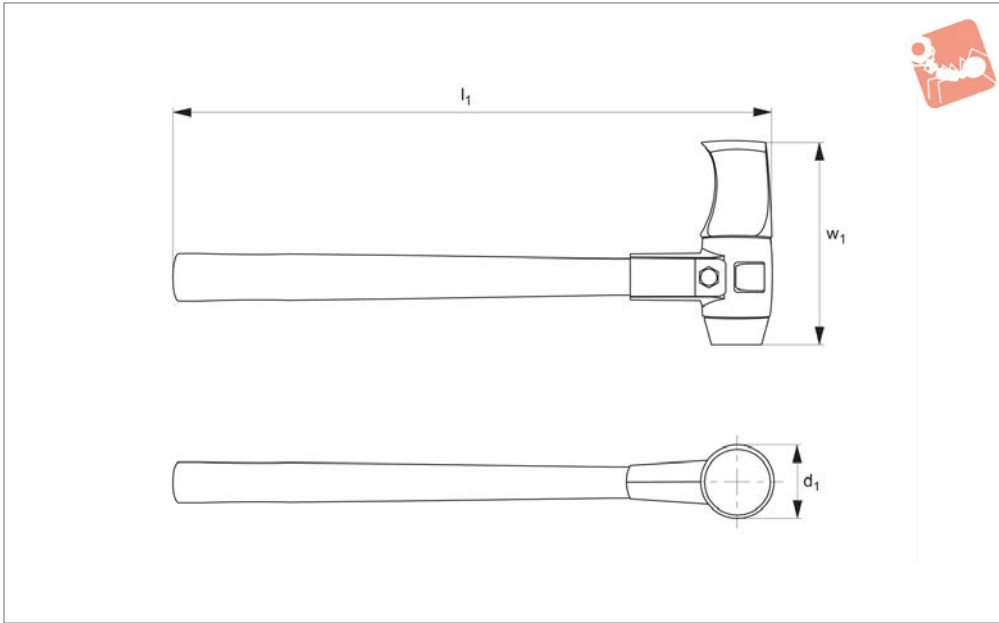


Split Maul Simplex Mallet - Complete

cast iron housing - wooden handle



Mallets & Hammers



98381

MALLETS & HAMMERS

Material

Housing: malleable cast iron.

Handle: hickory wood.

Inserts: superplastic, white. Medium hard.

Splitting Maul: carbon steel, drop-forged and hardened, with turned nose.

Technical Notes

Two tools in one; splitting maul for wood

harvesting and soft face mallet for hammering stakes and fencing posts.

Tips

Simplex maul mallets are a flexible modular system with replaceable handle, housing and inserts. Suitable replacement items for Simplex maul mallet 98381 are;
- handle no. 98383

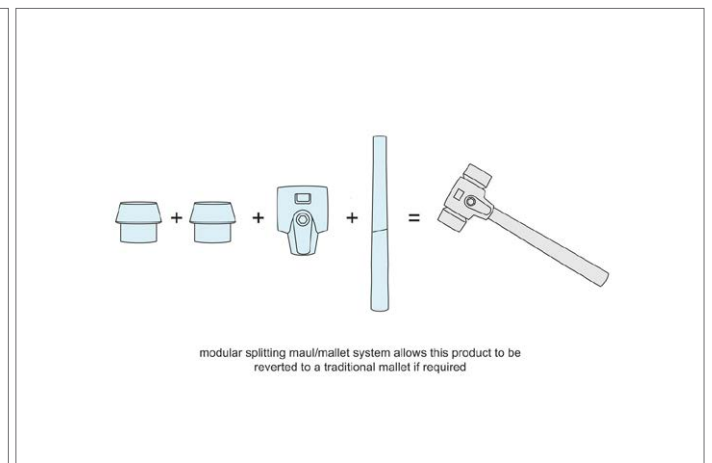
- housing no. 98382

- inserts no. 98384

Important Notes

Do not strike steel with the splitting insert - can result in splintering and injury. Use only original Wixroyd Simplex Mallet parts when replacing handle or inserts.

Order No.	Inserts	Head d_1	w_1	l_1	Weight g
98381.W0065	Splitting Maul/Superplastic	60	65	900	4100





Application Selection Chart

MALLETS & HAMMERS

Application selection chart

TPE-soft	Composite rubber	TPE-mid	Plastic	Super plastic	Nylon	Alu	Copper	98301 wood	98301 steel	98301 fibre	98310	98321	98401	98330
Soft	Med	Med	Hard	Med	Hard	Hard	Hard							
Range of inserts for Simplex mallets 98001 to 98224								Range of mallet handle types						

Construction applications

Paving		•	•		•										
Floor tiling	•		•												
Curbstone setting / Masonry work		•			•										
Concrete form set-up		•		•											
Scaffold construction		•		•	•	•									
Tent and hall construction					•	•		•							
Gardening and landscaping		•			•										
Home construction		•	•												

Metal-working industry applications

Automotive assembly and repair work				•	•	•	•	•	•	•	•	•	•	•	•
Positioning of workpieces in a vice								•	•	•	•	•			
Straightening work						•		•	•	•	•				
Joining of workpieces						•		•	•	•	•			•	•
Repair and maintenance work				•			•	•	•	•	•			•	•
Car body work				•	•		•	•	•	•	•	•	•	•	•
Sheet metal working				•	•	•		•	•	•	•	•	•		•
Dent removal	•	•		•	•	•					•	•	•	•	•
Housing assembly					•	•		•	•	•		•	•	•	•
Mould construction						•	•								•
Assembly of sharp-edged workpieces					•	•		•	•	•					•

Wood-working applications

Furniture assembly	•		•										•		•
Window and door construction	•		•										•		•
Prefabricated house construction		•													
Joiner's work	•		•										•		•
Carpenter's work		•													
Floor parqueting / laminating													•		

Agriculture and forestry applications

Fence construction		•			•			•							
Wood splitting with wedge					•			•							
Maintenance and repair work on agricultural machinery						•		•							•