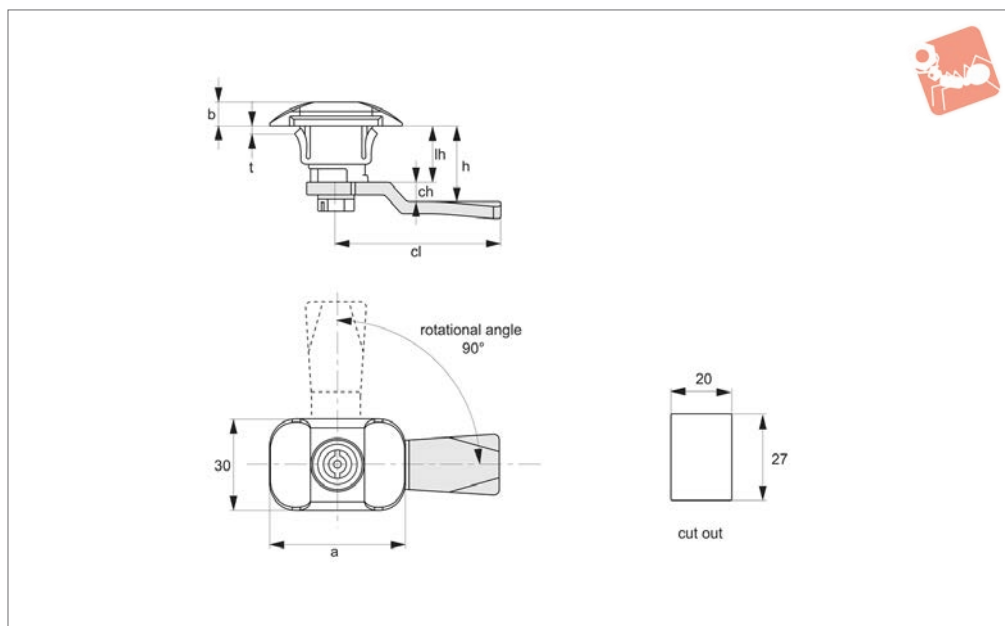




# Cam Latches - Snap on

sq8, 4mm DB

## Cam Latches



### A1010

CAM LATCHES

#### Material

Body: Black plastic (PA6).

Insert: Zinc.

**Not supplied:** Cam - order separately.

#### Technical Notes

Order cam and key separately.

Cams: see suitable cam A0203, A0224 and

A0240. Select „with projection“ cam type.

Dimensions ch and cl relate to cam. Use formula to calculate ch (required cam off-set), and refer to cam selection chart;

$ch = h - lh$  where;

ch = required cam off-set/height.

h = grip length (distance between inside of

latch face and front of cam).

lh = body length of cam latch/lock to be used (see product table below).

Suitable for panel thickness 0,8-2mm.

Keys: see A0102.

Order No.	Insert driver	a	b	t	lh
A1010.AW0020	8mm Square	43	7.5	0,8-2	17.8
A1010.AW0070	5mm Double Bit	43	7.5	0,8-2	17.8