

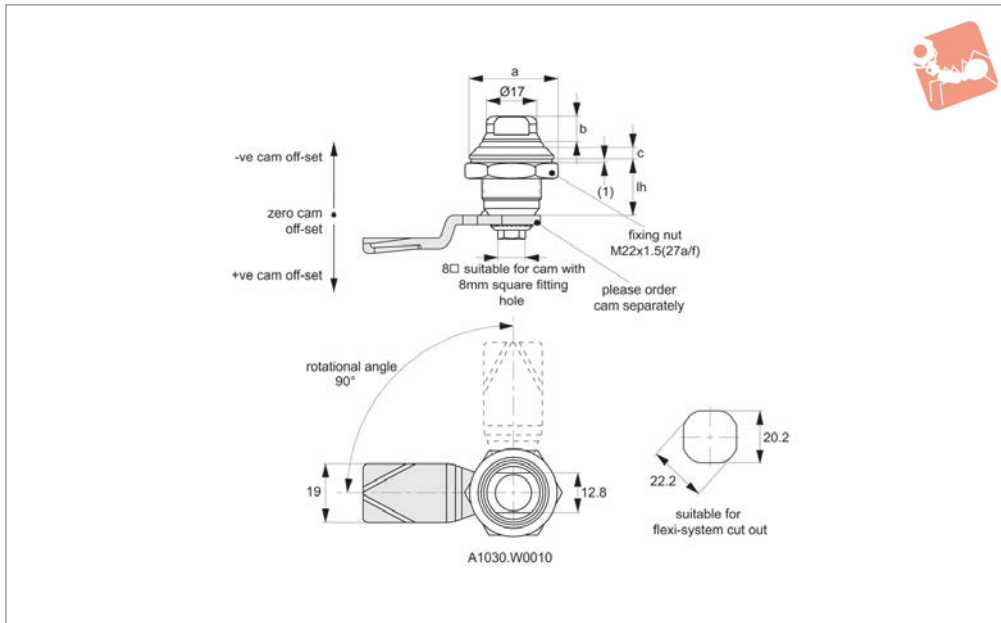


Cam Latches - Flexi-System

hygienic - stainless steel



Cam Latches



A1030

CAM LATCHES

Material

Body, inset and screw: stainless steel AISI 316.

Fitted with sealing gasket to achieve IP65 rating.

Sealing washer: silicone.

Not supplied: CAM nor KEY - order separately.

Technical Notes

Order cam key separately.

No need for key. Designed for use with spanner.

Cams: see suitable cam A0203 (steel), A0210 (stainless). Select „without projection“ cam type.

Dimensions ch and cl relate to cam. Use formula to calculate ch (required cam off-set), and refer to cam selection chart;

ch = h - lh where;

ch = required cam off-set/height.

h = grip length (distance between inside of latch face and front of cam).

lh = body length of cam latch/lock to be used (see product table below).

Order No.	Extruded driver	a	b	lh	c
A1030.AW0010	Stadium	28	8	18	4