

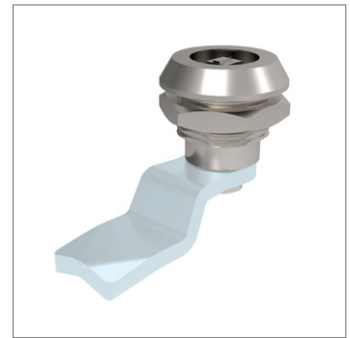
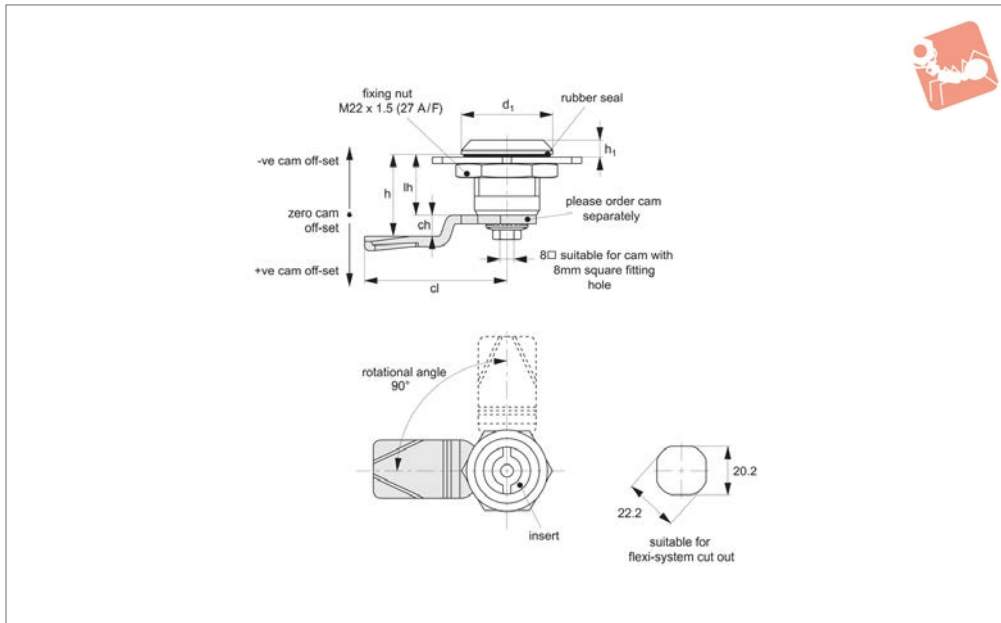


# Cam Latches - Flexi-System

insert driver - fixed grip - stainless steel



## Cam Latches



## A1103

CAM LATCHES

### Material

Body & Insert: stainless steel, AISI 304.  
Insert fitted with O'ring to achieve IP54 rating. Internal spring provides 1,5mm torsion.

**Supplied with:** Nut: stainless steel.  
Sealing washer: PU & Rubber.

**Not supplied:** CAM nor KEY - order separately.

### Technical Notes

Order cam and key separately.

**Cams:** see suitable cam A0210. Select „without projection“ cam type.

Dimensions  $ch$  and  $cl$  relate to cam. Use formula to calculate  $ch$  (required cam off-set), and refer to cam selection chart;

$ch = h - lh$  where;

$ch$  = required cam off-set/height.

$h$  = grip length (distance between inside of latch face and front of cam).

$lh$  = body length of cam latch/lock to be used (see product table below).

**Keys:** see A0102.

**Rods & Guides:** to achieve 3-point latching - A0303, A0321, A0325.

| Order No.    | Insert driver  | $d_1$ | $h_1$ | $lh$ |
|--------------|----------------|-------|-------|------|
| A1103.AW0020 | Square 8       | 28    | 6     | 18   |
| A1103.AW0040 | Triangle 7     | 28    | 6     | 18   |
| A1103.AW0050 | Triangle 8     | 28    | 6     | 18   |
| A1103.AW0060 | 3mm Double Bit | 28    | 6     | 18   |
| A1103.AW0070 | 4mm Double Bit | 28    | 6     | 18   |

Available insert drivers:

| Square 8 | Triangle 7 | Triangle 8 | 3mm Double Bit | 4mm Double Bit |
|----------|------------|------------|----------------|----------------|
|          |            |            |                |                |