

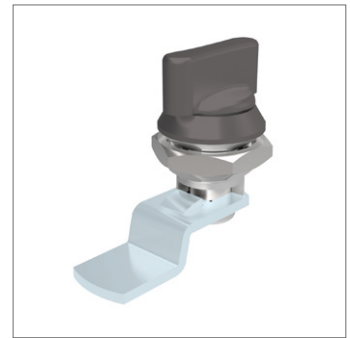
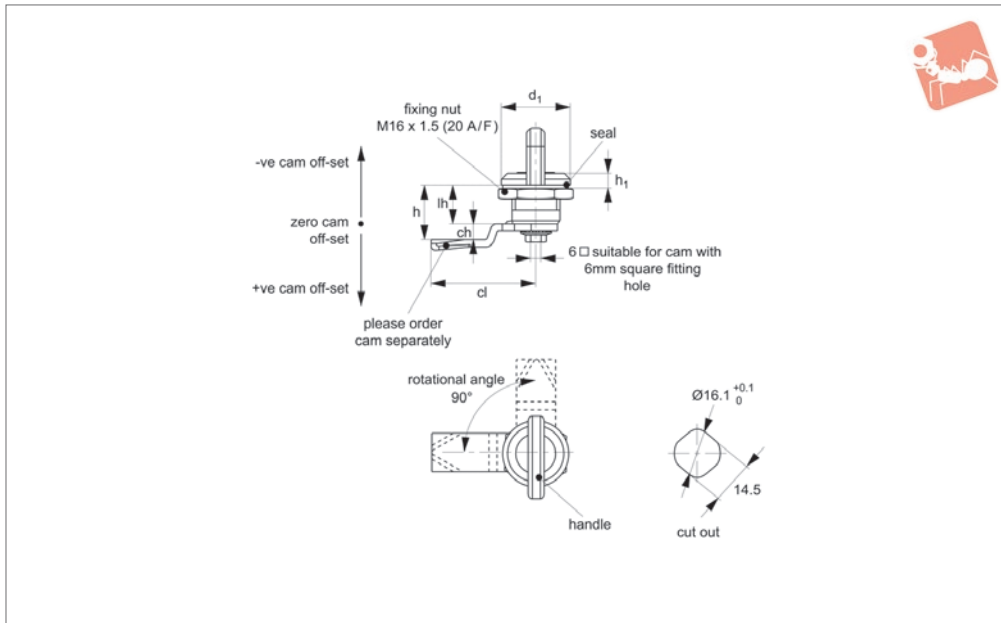


Mini Cam Latches

wing handle - fixed grip - zinc



Cam Latches



A1281

CAM LATCHES

Material

Body & insert: die cast zinc, chrome plated or black powder coated.

Handle: black plastic, PA6.

Not supplied: CAM - order separately.

Technical Notes

Order cam separately.

Cams: see suitable cam A0261. Select „with projection“ cam type to prevent cam

rotating over 45°.

Dimensions ch and cl relate to cam. Use formula to calculate ch (required cam off-set), and refer to cam selection chart;

ch = h - lh where;

ch = required cam off-set/height.

h = grip length (distance between inside of latch face and front of cam).

lh = body length of cam latch/lock to be

used (see product table below).

Tips

Wing knob actuates lock, and also acts as knob/handle.

Important Notes

Sold subject to pack quantity.

Order No.	Handle	Body	d ₁	h ₁	lh
A1281.AW0110	Black Plastic	Chrome Plated	20	4	12.5
A1281.AW0120	Black Plastic	Black Powder	20	4	12.5