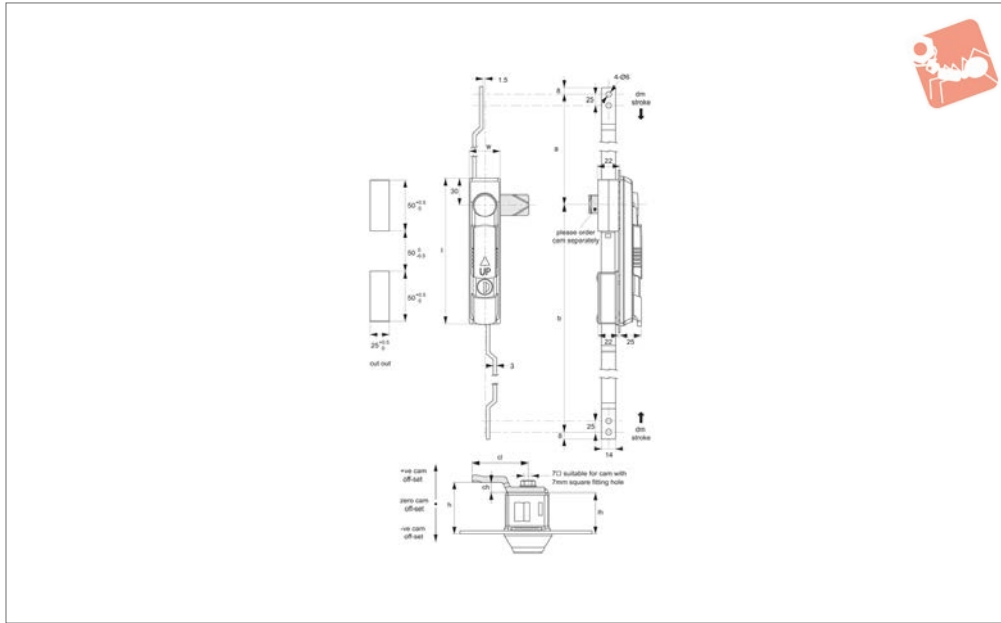




Swing Handles - with Rod Control

standard cylinder lock - dust proof cover - zinc or

Swing Handles



B2086

SWING HANDLES

Material

Type One: Body & Handle: die cast zinc, black powder coated.

Type Two: Body: Polyamide PA6, black. Handle: die cast zinc, black powder coated. Cylinder lock: die cast zinc, chrome plated.

Rod Control Mechanism: die cast zinc.

Supplied with: Keys: two per lock.

Not supplied: Cam: order separately.

Technical Notes

Order cam separately.

Cams: see suitable cam A0215. Select „without projection“ cam type.

Dimensions *ch* and *cl* relate to cam. Use formula to calculate *ch* (required cam off-set), and refer to cam selection chart;

ch = h - lh where;

ch = required cam off-set/height.

h = grip length (distance between inside of latch face and front of cam).

lh = body length of cam latch/lock to be used (see product table below).

Rods & Guides: to achieve 3-point latching - A0303, A0321, A0325.

Tips

90° degree handle rotation combines with rod latch to open or close. Suitable for panel thickness 1-4mm. For use inside of cabinet gasket.

Order No.	Type	Body	Handle	Lock type	Key type	l	w	lh	a	b	dm stroke
B2086.AW0010	One	Zinc	Zinc	Std. Cylinder	Keyed Alike	160	34	23	122	196	15
B2086.AW0310	Two	Polyamide	Zinc	Std. Cylinder	Keyed Alike	160	34	23	122	196	15

