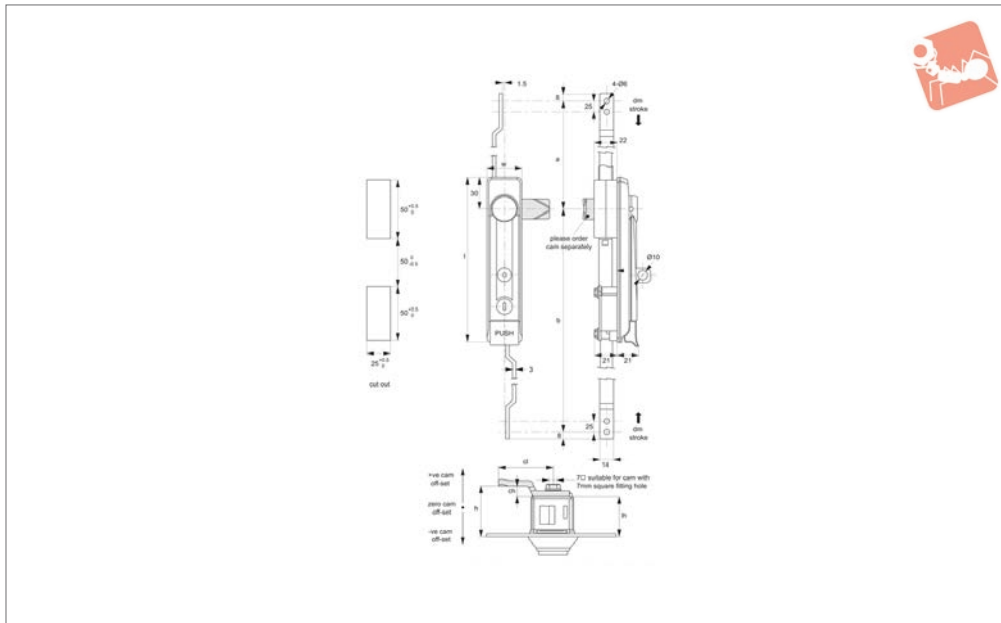




Swing Handles - with Rod Control

standard cylinder - zinc

Swing Handles



B2285

SWING HANDLES

Material

Body & Handle: die cast zinc, black powder coated.

Cylinder lock: die cast zinc, chrome plated.

Rod Control Mechanism: die cast zinc.

Supplied with: Keys: two per lock.

Not supplied: Cam: order separately.

Technical Notes

Order cam separately.

Cams: see suitable cam A0215. Select „without projection“ cam type.

Dimensions ch and cl relate to cam. Use formula to calculate ch (required cam off-set), and refer to cam selection chart;

ch = h - lh where;

ch = required cam off-set/height.

h = grip length (distance between inside of latch face and front of cam).

lh = body length of cam latch/lock to be used (see product table below).

Rods & Guides: to achieve 3-point latching - A0303, A0321, A0325.

Padlock models: suitable for padlock shackle max. diameter 10mm.

Tips

Suitable for panel thickness 1-3mm

Order No.	Finish	Lock type	Key type	Button	l	Padlockable	w	lh	a	b	dm stroke
B2285.AW0010	Black Coated	Std. Cylinder	Keyed Alike	With	158	No	34	23	122	196	15
B2285.AW0020	Black Coated	Std. Cylinder	Keyed Alike	With	158	Yes	34	23	122	196	15
B2285.AW0050	Black Coated	Std. Cylinder	Keyed Alike	W/o	158	No	34	23	122	196	15
B2285.AW0060	Black Coated	Std. Cylinder	Keyed Alike	W/o	158	Yes	34	23	122	196	15