

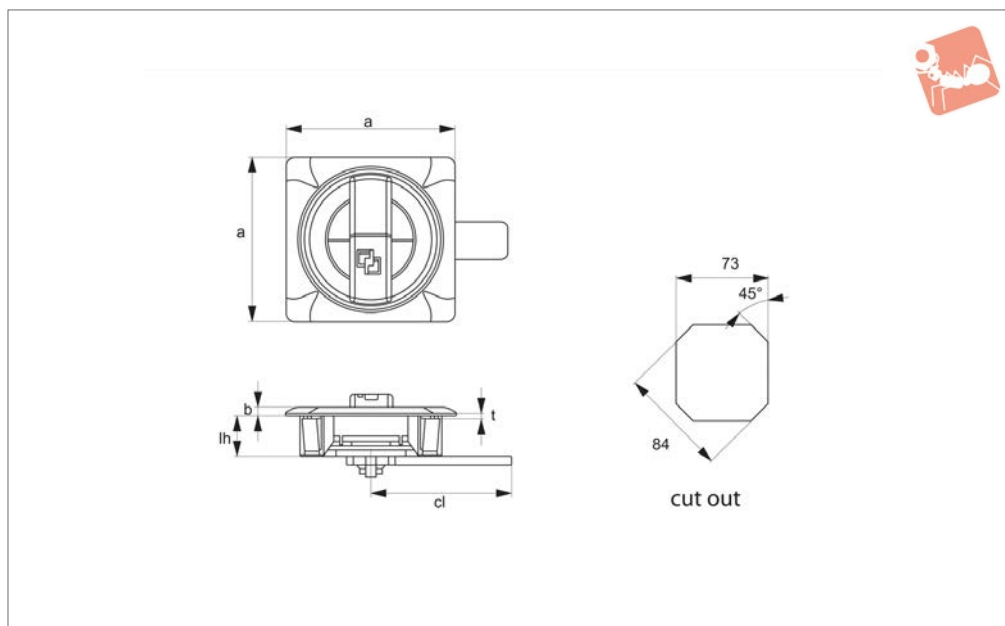


# Cabinet Lock - Snap In

PA plastic, zinc handle, no lock



## Cam Locks



**B4520**

CAM LOCKS

### Material

Body: Black plastic (PA6).  
Handle: Zinc, black coated.

**Supplied:** Cam.

### Technical Notes

For plain/flush mounted doors, as well as

electrical panels and covers.

securely mount handle.

### Tips

Easy snap on fix mounting. Make cut out in panel as shown, and simply push in handle, snap on clips will spring back to

Order No.	Lock type	a	b	t	cl	lh
B4520.AW0120	No lock	85	3.3	0,8-2	72	21



## Models available



**Cam Latch - Flush T-Handle with rod control for multi-point latching**



**Cam Latch - Flush T-Handle for single point latching**



**Cam Latch - Flush T-Handle with adjustable grip**



**Cam Latch - Concealed T-Handle for electricity panels**

## Features

### Variety of materials

- Steel.
- Stainless steel.
- Aluminium.
- Polyamide.

### Actuation/locking method

- Blank, without lock.
- Standard cylinder Lock.
- Padlockable T-Handle actuation.

## Applications

- Heating & ventilation.
- Generators.
- Compressors.
- Machine covers.

- Electric panels.
- Off-road equipment.
- Industrial transport.
- Special equipment cases.