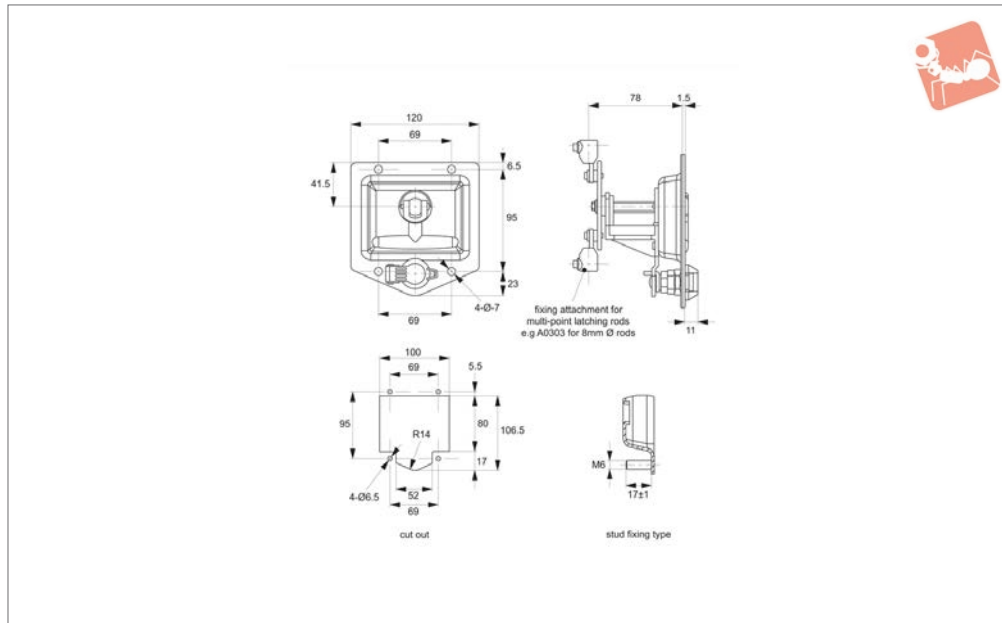




Cam Latch - Flush T-handle - Rod

vertical - heavy duty- fixed grip - standard cylinder

Paddle Latches



B4584

PADDLE LATCHES

Material

Body: stainless steel, AISI 303.
 Handle: die cast zinc, chrome plated.
 Cylinder lock: die cast zinc, chrome plated.
Supplied with: Keys: two per lock.

Technical Notes

Hole fixing type requires 4 off M 6 screws

(not supplied) for front mounting.
 Stud fixing type has 4 off M 6 welding studs for rear mounting with M 6 nuts (not supplied).
 Use with multi-point latching rods (e.g. A0303), with 8mm Ø rods, to achieve two point latching of larger enclosure panels.

Tips

Ideal for electricity sub-stations, HGVs and other road side vehicles.
 T-handle is in the vertical position when locked. Universal left/right. For use inside of cabinet gasket.

Order No.	Mounting type	Lock type	Key type
B4584.AW0010	Hole Fixing	Std. Cylinder	Keyed Alike
B4584.AW0020	Stud Fixing	Std. Cylinder	Keyed Alike



cut out	Cylinder Profile		Body		IP Rating	Locking System			Use		Cam Type			
	Std. Cylinder Lock	40mm Euro Padlockable Insert Driver	Die-Cast Zinc	Polyamide Plastic		Stainless Steel	Aluminium	1-point	2-point	3-point		Inside Gasketing	Outside Gasketing	
	Std. Cylinder Lock	40mm Euro Padlockable Insert Driver	Die-Cast Zinc	Polyamide Plastic	Stainless Steel	Aluminium	IP Rating	1-point	2-point	3-point	Inside Gasketing	Outside Gasketing	With Projection	W/O Projection
	✓		✓				54	✓	✓	✓	✓			✓
Cams: A0203, A0224, A0240 - Keys: Supplied														

cut out	Cylinder Profile		Body		IP Rating	Locking System			Use		Cam Type			
	Std. Cylinder Lock	40mm Euro Padlockable Insert Driver	Die-Cast Zinc	Polyamide Plastic		Stainless Steel	Aluminium	1-point	2-point	3-point		Inside Gasketing	Outside Gasketing	
	Std. Cylinder Lock	40mm Euro Padlockable Insert Driver	Die-Cast Zinc	Polyamide Plastic	Stainless Steel	Aluminium	IP Rating	1-point	2-point	3-point	Inside Gasketing	Outside Gasketing	With Projection	W/O Projection
	✓		✓								✓	✓		✓
Cams: Supplied - Keys: Supplied														
	✓		✓					✓			✓	✓		✓
Cams: Supplied - Keys: Supplied														
	✓		✓					✓			✓	✓		✓
Cams: Supplied - Keys: Supplied														

cut out	Cylinder Profile		Body		IP Rating	Locking System			Use		Cam Type			
	Std. Cylinder Lock	40mm Euro Padlockable Insert Driver	Die-Cast Zinc	Polyamide Plastic		Stainless Steel	Aluminium	1-point	2-point	3-point		Inside Gasketing	Outside Gasketing	
	Std. Cylinder Lock	40mm Euro Padlockable Insert Driver	Die-Cast Zinc	Polyamide Plastic	Stainless Steel	Aluminium	IP Rating	1-point	2-point	3-point	Inside Gasketing	Outside Gasketing	With Projection	W/O Projection
	✓			✓				✓			✓	✓		✓
Cams: Supplied - Keys: Supplied														



Models available



Cam Latch - Flush T-Handle with rod control for multi-point latching



Cam Latch - Flush T-Handle for single point latching



Cam Latch - Flush T-Handle with adjustable grip



Cam Latch - Concealed T-Handle for electricity panels

Variety of materials

- Steel.
- Stainless steel.
- Aluminium.
- Polyamide.

Actuation/locking method

- Blank, without lock.
- Standard cylinder Lock.
- Padlockable T-Handle actuation.

Features

- Heating & ventilation.
- Generators.
- Compressors.
- Machine covers.

- Electric panels.
- Off-road equipment.
- Industrial transport.
- Special equipment cases.

Applications