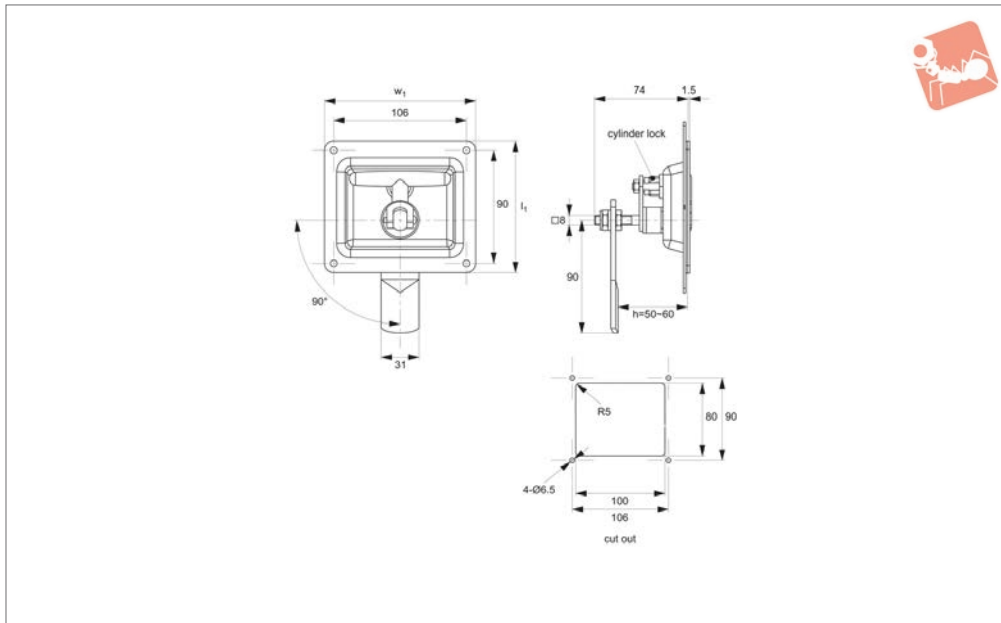




Cam Latches - Flush T-Handle

no lock option - adjustable grip - stainless steel

Paddle Latches



B4590

PADDLE LATCHES

Material

Body: stainless steel, AISI 303.

Handle: die cast zinc, chrome plated.

Cylinder lock: die cast zinc, chrome plated.

Cam: stainless steel, AISI 303.

Technical Notes

Mounting via 4 off M 6 screws (not

supplied) for front mounting.

With lock version has standard cylinder lock to prevent unauthorised opening.

Order No.	Mounting type	Lock type	l_1	w_1	h grip range
B4590.AW0010	Hole fixing	Std. Cylinder	105	120	50~60
B4590.AW0020	Hole fixing	Blank - No Lock	105	120	50~60



cut out	Cylinder Profile		Body		IP Rating	Locking System			Use		Cam Type			
	Std. Cylinder Lock	40mm Euro Padlockable Insert Driver	Die-Cast Zinc	Polyamide Plastic		Stainless Steel	Aluminium	1-point	2-point	3-point		Inside Gasketing	Outside Gasketing	
	Std. Cylinder Lock	40mm Euro Padlockable Insert Driver	Die-Cast Zinc	Polyamide Plastic	Stainless Steel	Aluminium	IP Rating	1-point	2-point	3-point	Inside Gasketing	Outside Gasketing	With Projection	W/O Projection
	✓		✓				54	✓	✓	✓	✓			✓
Cams: A0203, A0224, A0240 - Keys: Supplied														

cut out	Cylinder Profile		Body		IP Rating	Locking System			Use		Cam Type			
	Std. Cylinder Lock	40mm Euro Padlockable Insert Driver	Die-Cast Zinc	Polyamide Plastic		Stainless Steel	Aluminium	1-point	2-point	3-point		Inside Gasketing	Outside Gasketing	
	Std. Cylinder Lock	40mm Euro Padlockable Insert Driver	Die-Cast Zinc	Polyamide Plastic	Stainless Steel	Aluminium	IP Rating	1-point	2-point	3-point	Inside Gasketing	Outside Gasketing	With Projection	W/O Projection
	✓		✓								✓	✓		✓
Cams: Supplied - Keys: Supplied														
	✓		✓					✓			✓	✓		✓
Cams: Supplied - Keys: Supplied														
	✓		✓					✓			✓	✓		✓
Cams: Supplied - Keys: Supplied														

cut out	Cylinder Profile		Body		IP Rating	Locking System			Use		Cam Type			
	Std. Cylinder Lock	40mm Euro Padlockable Insert Driver	Die-Cast Zinc	Polyamide Plastic		Stainless Steel	Aluminium	1-point	2-point	3-point		Inside Gasketing	Outside Gasketing	
	Std. Cylinder Lock	40mm Euro Padlockable Insert Driver	Die-Cast Zinc	Polyamide Plastic	Stainless Steel	Aluminium	IP Rating	1-point	2-point	3-point	Inside Gasketing	Outside Gasketing	With Projection	W/O Projection
	✓			✓				✓			✓	✓		✓
Cams: Supplied - Keys: Supplied														



Models available



Cam Latch - Flush T-Handle with rod control for multi-point latching



Cam Latch - Flush T-Handle for single point latching



Cam Latch - Flush T-Handle with adjustable grip



Cam Latch - Concealed T-Handle for electricity panels

Variety of materials

- Steel.
- Stainless steel.
- Aluminium.
- Polyamide.

Actuation/locking method

- Blank, without lock.
- Standard cylinder Lock.
- Padlockable T-Handle actuation.

Features

- Heating & ventilation.
- Generators.
- Compressors.
- Machine covers.

- Electric panels.
- Off-road equipment.
- Industrial transport.
- Special equipment cases.

Applications