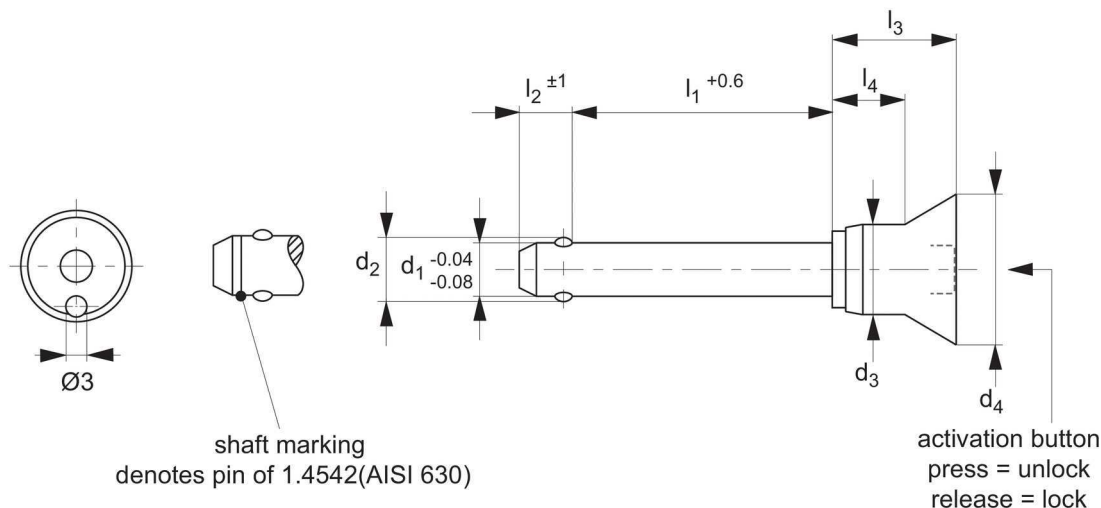


Ball Lock Pins - Single Acting - Safety Handle

self-locking



33226



Order No. Type One Stainless 1.4305	Order No. Type Two Stainless 1.4542	d ₁	l ₁	d ₂	d ₃	d ₄	l ₂	l ₄	l ₃	Location hole H11	Shear ing re sistan ce, do uble min. 1.430 5	Sheari ng resi stance, double min. 1.4542 5	g
33226.W1012	33226.W1512	5	10	5,5	10,3	20	6,0	11,6	21,0	5	14	24	18
33226.W1013	33226.W1513	5	15	5,5	10,3	20	6,0	11,6	21,0	5	14	24	19
33226.W1014	33226.W1514	5	20	5,5	10,3	20	6,0	11,6	21,0	5	14	24	20
33226.W1015	33226.W1515	5	25	5,5	10,3	20	6,0	11,6	21,0	5	14	24	21
33226.W1016	33226.W1516	5	30	5,5	10,3	20	6,0	11,6	21,0	5	14	24	21
33226.W1022	33226.W1522	6	10	7,0	10,3	20	7,0	11,6	21,0	6	21	35	19
33226.W1023	33226.W1523	6	15	7,0	10,3	20	7,0	11,6	21,0	6	21	35	20
33226.W1024	33226.W1524	6	20	7,0	10,3	20	7,0	11,6	21,0	6	21	35	22
33226.W1025	33226.W1525	6	25	7,0	10,3	20	7,0	11,6	21,0	6	21	35	23
33226.W1026	33226.W1526	6	30	7,0	10,3	20	7,0	11,6	21,0	6	21	35	24
33226.W1027	33226.W1527	6	35	7,0	10,3	20	7,0	11,6	21,0	6	21	35	25
33226.W1028	33226.W1528	6	40	7,0	10,3	20	7,0	11,6	21,0	6	21	35	26
33226.W1029	33226.W1529	6	45	7,0	10,3	20	7,0	11,6	21,0	6	21	35	27
33226.W1030	33226.W1530	6	50	7,0	10,3	20	7,0	11,6	21,0	6	21	35	28
33226.W1034	33226.W1534	8	20	9,5	13,3	24	8,2	17,4	27,5	8	38	63	40
33226.W1035	33226.W1535	8	25	9,5	13,3	24	8,2	17,4	27,5	8	38	63	41
33226.W1036	33226.W1536	8	30	9,5	13,3	24	8,2	17,4	27,5	8	38	63	43
33226.W1037	33226.W1537	8	35	9,5	13,3	24	8,2	17,4	27,5	8	38	63	45
33226.W1038	33226.W1538	8	40	9,5	13,3	24	8,2	17,4	27,5	8	38	63	47
33226.W1039	33226.W1539	8	45	9,5	13,3	24	8,2	17,4	27,5	8	38	63	49
33226.W1040	33226.W1540	8	50	9,5	13,3	24	8,2	17,4	27,5	8	38	63	51
33226.W1044	33226.W1544	10	20	12,0	13,3	24	9,6	17,4	27,5	10	60	100	46
33226.W1045	33226.W1545	10	25	12,0	13,3	24	9,6	17,4	27,5	10	60	100	49
33226.W1046	33226.W1546	10	30	12,0	13,3	24	9,6	17,4	27,5	10	60	100	52
33226.W1047	33226.W1547	10	35	12,0	13,3	24	9,6	17,4	27,5	10	60	100	5
33226.W1048	33226.W1548	10	40	12,0	13,3	24	9,6	17,4	27,5	10	60	100	58
33226.W1049	33226.W1549	10	45	12,0	13,3	24	9,6	17,4	27,5	10	60	100	61
33226.W1050	33226.W1550	10	50	12,0	13,3	24	9,6	17,4	27,5	10	60	100	64
33226.W1052	33226.W1552	10	60	12,0	13,3	24	9,6	17,4	27,5	10	60	100	70
33226.W1065	33226.W1565	12	25	14,5	16,5	28	10,6	23,1	33,5	12	87	144	77
33226.W1066	33226.W1566	12	30	14,5	16,5	28	10,6	23,1	33,5	12	87	144	82
33226.W1067	33226.W1567	12	35	14,5	16,5	28	10,6	23,1	33,5	12	87	144	86
33226.W1068	33226.W1568	12	40	14,5	16,5	28	10,6	23,1	33,5	12	87	144	90
33226.W1069	33226.W1569	12	45	14,5	16,5	28	10,6	23,1	33,5	12	87	144	94
33226.W1070	33226.W1570	12	50	14,5	16,5	28	10,6	23,1	33,5	12	87	144	99
33226.W1072	33226.W1572	12	60	14,5	16,5	28	10,6	23,1	33,5	12	87	144	107
33226.W1074	33226.W1574	12	70	14,5	16,5	28	10,6	23,1	33,5	12	87	144	116
33226.W1076	33226.W1576	12	80	14,5	16,5	28	10,6	23,1	33,5	12	87	144	124

Material

Type One -
Pin: Stainless steel 1.4305 (AISI 303).

Ball: stainless steel 1.3541
Spring: stainless steel.

Type Two -
Pin: Stainless steel 1.4542 (AISI 630), precipitation hardened, blast finish. Offering extreme load capacity. (Marked at end of shaft to denote 1.4542 material).
Ball: stainless steel 1.3541
Spring: stainless steel.
Handle: stainless steel.

Technical Notes

Pressing = unlocking.
Releasing = locking.

Handle shape protects against accidental actuation of ball lock pin. Temperature resistant up to 250°C For quick fastening and locking of frequently repeated connections.

Tips

For lanyards & retaining cables see part no. 33250. Easy install locating bushes available see part no. 33248.

Important Notes

*Shearing resistance similar to DIN 50141.



**33060
-33250**

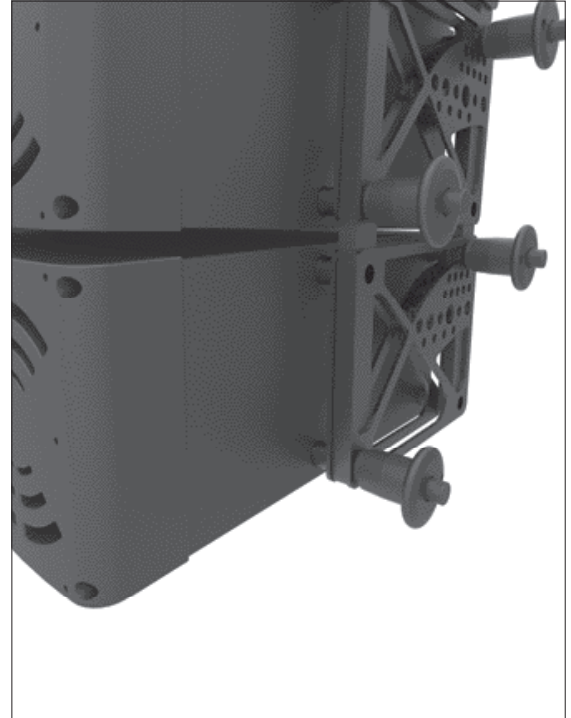
Wixroyd Ball Lock Pins
applications



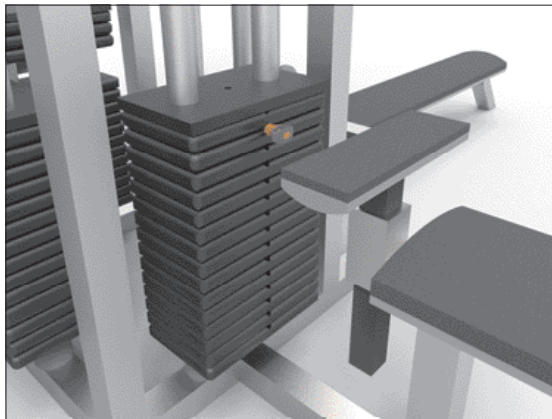
Sound rigging systems

Ball lock pins on a sound rigging system. Offering secure fixing with high shear forces and easy fitting for operators at heights.

In addition full black powder coating of grip and actuation button eliminates glare from other stage lighting.



Gym equipment



Scientific and medical

