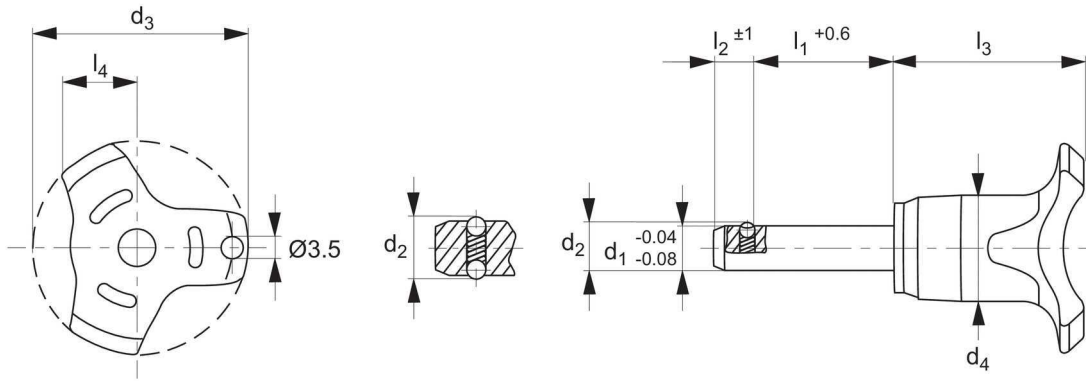


Socket Pins

non-locking



33140



size 10+12 - double ball

size 6+8 - single ball



Order No.	d ₁	l ₁	d ₂	d ₃	d ₄	l ₂	l ₃	l ₄	Location hole H11	Shear resistance, double kN	Tensile force non lubricat ed N max.	g
33140.W0062	6	10	6,5	38	17,3	5,0	27,0	10,8	6	22	8	14
33140.W0064	6	15	6,5	38	17,3	5,0	27,0	10,8	6	22	8	16
33140.W0066	6	20	6,5	38	17,3	5,0	27,0	10,8	6	22	8	16
33140.W0068	6	25	6,5	38	17,3	5,0	27,0	10,8	6	22	8	17
33140.W0070	6	30	6,5	38	17,3	5,0	27,0	10,8	6	22	8	18
33140.W0075	6	50	6,5	38	17,3	5,0	27,0	10,8	6	22	8	23
33140.W0084	8	15	8,7	38	17,3	6,3	28,6	10,8	8	40	15	21
33140.W0086	8	20	8,7	38	17,3	6,3	28,6	10,8	8	40	15	22
33140.W0088	8	25	8,7	38	17,3	6,3	28,6	10,8	8	40	15	25
33140.W0090	8	30	8,7	38	17,3	6,3	28,6	10,8	8	40	15	27
33140.W0095	8	50	8,7	38	17,3	6,3	28,6	10,8	8	40	15	33
33140.W0104	10	15	12,0	38	17,3	8,7	28,6	10,8	10	62	30	32
33140.W0106	10	20	12,0	38	17,3	8,7	28,6	10,8	10	62	30	35
33140.W0108	10	25	12,0	38	17,3	8,7	28,6	10,8	10	62	30	38
33140.W0110	10	30	12,0	38	17,3	8,7	28,6	10,8	10	62	30	39
33140.W0115	10	50	12,0	38	17,3	8,7	28,6	10,8	10	62	30	53
33140.W0122	12	20	14,5	38	17,3	9,5	28,6	10,8	12	90	32	43
33140.W0124	12	30	14,5	38	17,3	9,5	28,6	10,8	12	90	32	52
33140.W0126	12	40	14,5	38	17,3	9,5	28,6	10,8	12	90	32	61
33140.W0128	12	50	14,5	38	17,3	9,5	28,6	10,8	12	90	32	68

Material

Pin: stainless steel 1,4305 (AISI 303).

Handle: thermoplastic PA 6, grey.
Spring: stainless steel.

Technical Notes

Balls are simply spring loaded and do not lock out. Resulting in pins being easier to pull out.

Temperature range: -30°C to +80°C.

For a quick fastening, locking, adjusting, changing and securing. Quickly and easily unlockable for frequently repeated connections.

Tips

For lanyards & retaining cables see part no. 33250.



**33060
-33250**

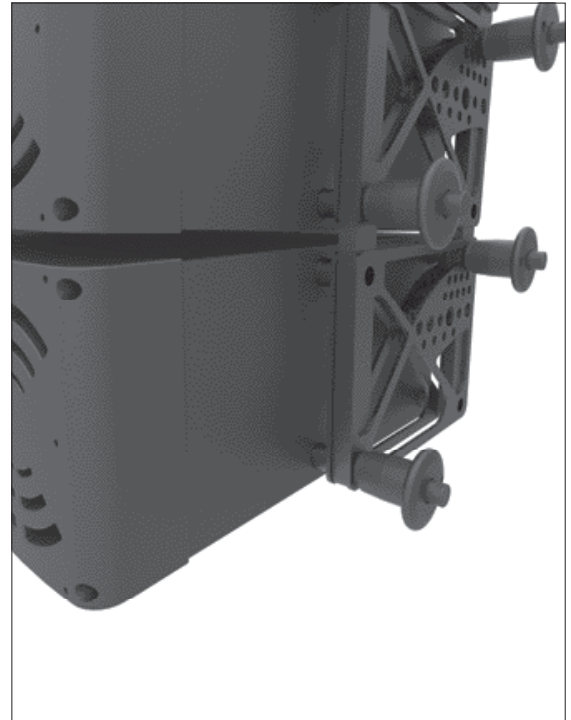
Wixroyd Ball Lock Pins
applications



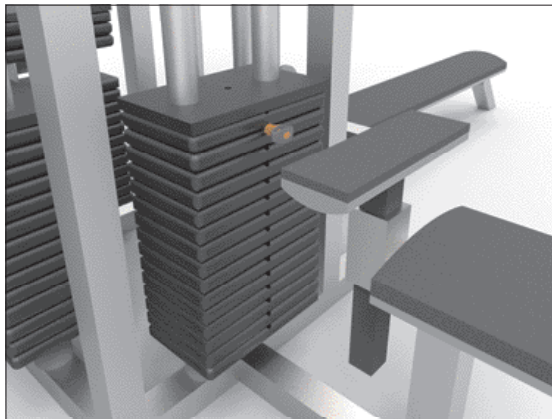
Sound rigging systems

Ball lock pins on a sound rigging system. Offering secure fixing with high shear forces and easy fitting for operators at heights.

In addition full black powder coating of grip and actuation button eliminates glare from other stage lighting.



Gym equipment



Scientific and medical

