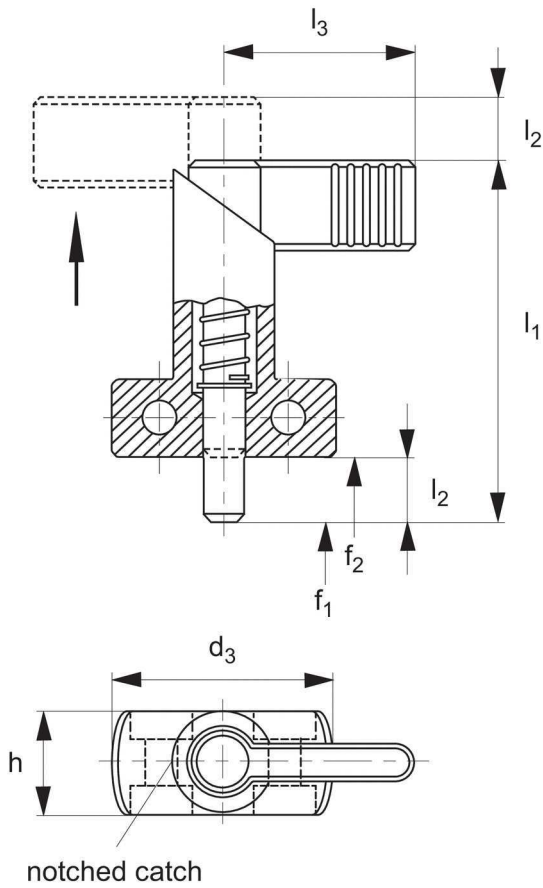


Index Plungers - Lever Grip

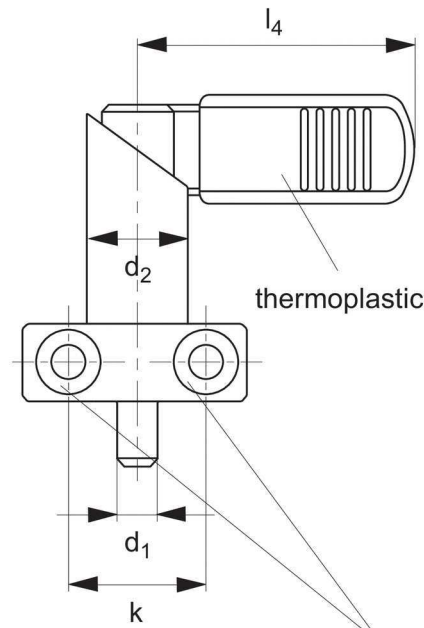
flange mounting - locking



32520



without grip



with grip

countersunk on both sides for
DIN 912 cap screw M5



Material

Body & Lever: free cutting steel, blackened.
Pin: steel, nitrided, black.
Plastic Grip: thermoplastic, black, dull.

Technical Notes

Turn lever 180° to retract pin. To enable pin to be held in retracted position, secure lever in notched catch on plunger body. Countersunk holes on both sides of mounting flange enable both right or left mounting. Plastic grip type, improves handling. Temperature resistance of type with plastic grip is -30°C to +80°C.

Tips

Spring loads * = statistical average.

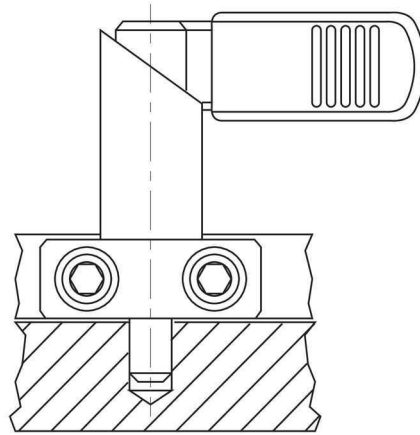
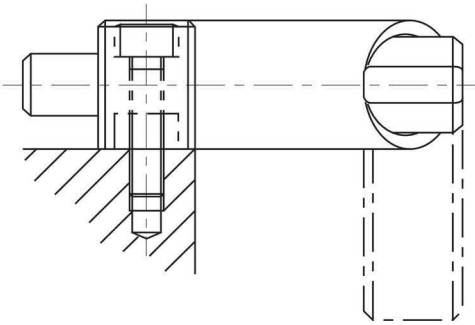
Order No.	Type	d ₁ 0 -0.05	l ₂	d ₂	d ₃	h	k	l ₁	l ₃	l ₄	s	Sprin	Sprin	g
												g load*	g load*	
												f ₁ N	f ₂ N	
32520.W0376	Without Grip	6	10	16	35	16	20	56	32	-	12	12	32	82
32520.W0378	Without Grip	8	10	16	35	16	20	56	32	-	12	12	32	85
32520.W0379	Without Grip	8	12	20	40	20	22	69	37	-	15	21	58	163
32520.W0381	Without Grip	10	10	16	35	16	20	56	32	-	12	12	32	85
32520.W0382	Without Grip	10	12	20	40	20	22	69	37	-	15	21	58	167
32520.W0384	Without Grip	12	12	20	40	20	22	69	37	-	15	21	58	168
32520.W0386	With Grip	6	10	16	35	16	20	56	-	42	12	12	32	83
32520.W0388	With Grip	8	10	16	35	16	20	56	-	42	12	12	32	85
32520.W0389	With Grip	8	12	20	40	20	22	69	-	52	15	21	58	169
32520.W0391	With Grip	10	10	16	35	16	20	56	-	42	12	12	32	86
32520.W0392	With Grip	10	12	20	40	20	22	69	-	52	15	21	58	171
32520.W0394	With Grip	12	12	20	40	20	22	69	-	52	15	21	58	171

Index Plungers - Lever Grip

flange mounting - locking



32520



Material

Body & Lever: free cutting steel, blackened.

Pin: steel, nitrided, black.

Plastic Grip: thermoplastic, black, dull.

Technical Notes

Turn lever 180° to retract pin. To enable pin to be held in retracted position, secure lever in notched catch on plunger body.

Countersunk holes on both sides of mounting flange enable both right or left mounting.

Plastic grip type, improves handling. Temperature resistance of type with plastic grip is -30°C to +80°C.

Tips

Spring loads * = statistical average.