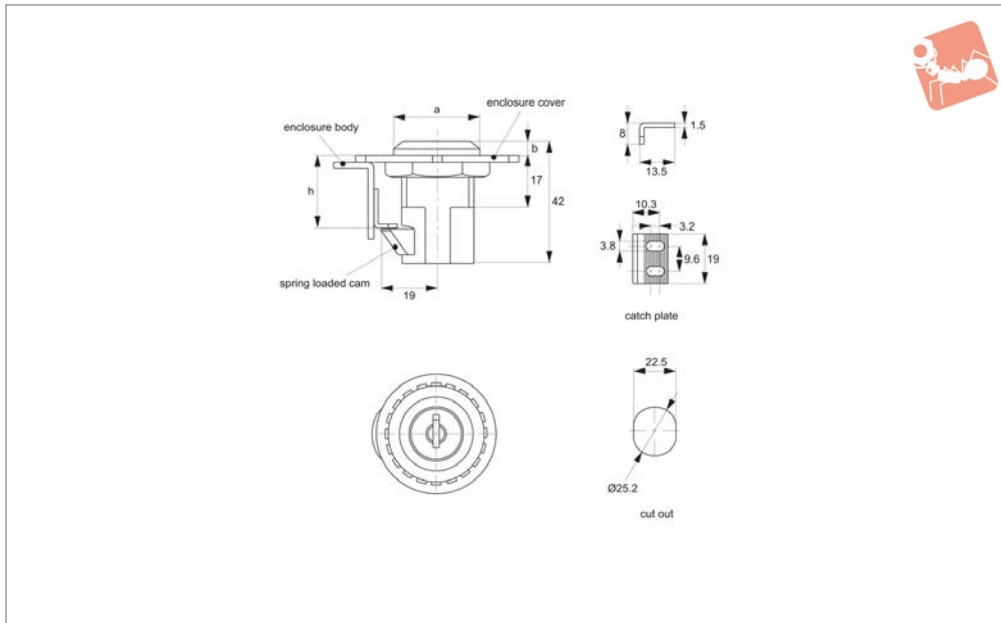




Push Lock - Spring Loaded Cam

standard cylinder lock - fixed grip - zinc

Catches & Latches



E1600

CATCHES & LATCHES

Material

Body: die cast zinc, chrome plated.
 Cylinder lock: die cast zinc, chrome plated.
 Lock bolt: die cast zinc.

Supplied with: Keys: two per lock.

Not Supplied: Catch Plate: order separately.

tely.

Technical Notes

Suitable for panel thickness 1-15mm.
 When installed lock is, 5mm above surface.

On closing of panel, special contour of the spring loaded cam allows it to be guided over the catch plate, then springs back to lock in place. To open panel, actuate key to release cam, and pull. Cam has stroke of approx, 8mm. Order catch plate separately.

Order No.	Type	Lock type	Key type	a	b	h grip length
E1600.AW0010	Push Lock	Std. Cylinder	Keyed Alike	29	5	25

