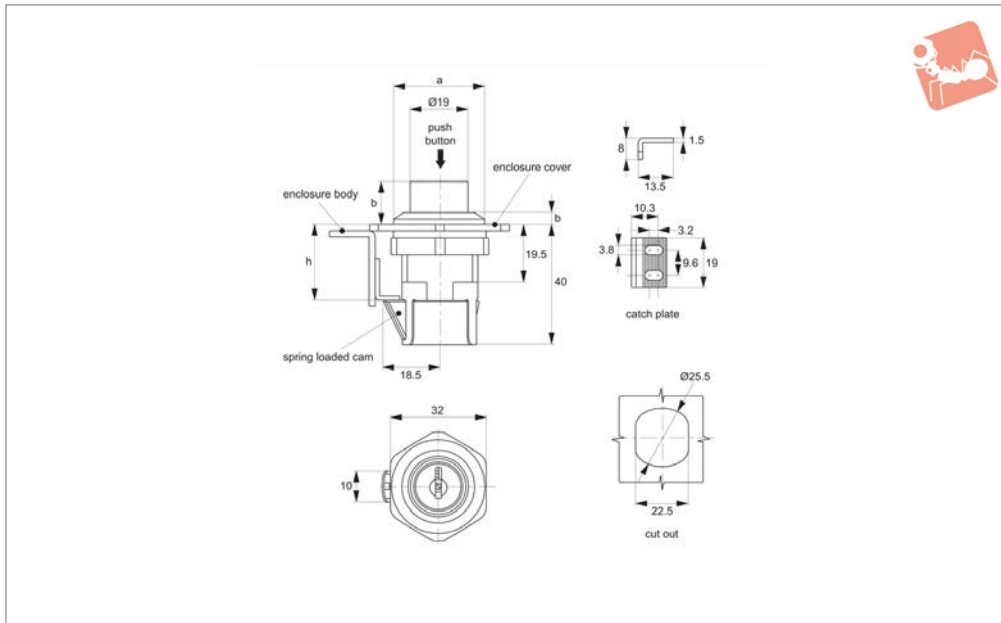




Push Lock - Spring Loaded Cam - Push standard cylinder lock - fixed grip - polycarbonate

Catches & Latches



E1602

CATCHES & LATCHES

Material

Body: polycarbonate, black.
Cylinder Lock: polycarbonate, black.
Supplied With: Keys: two per lock.
Not supplied: Catch plate: order separately.

Technical Notes

Suitable for door thickness 1-16mm.

Tips

On closing of panel, special contour of the spring loaded cam allows it to be guided

over the catch plate, then springs back to lock in place. To open panel, actuate key and depress push button to release cam then pull to open. Optional finger pull can assist in opening (please order separately). Cam has stroke of approx. 8mm.

Order No.	Type	Lock type	Key type	a	b	h grip length
E1602.AW0010	Push Lock	Std. Cylinder	Keyed Alike	30	4	25

