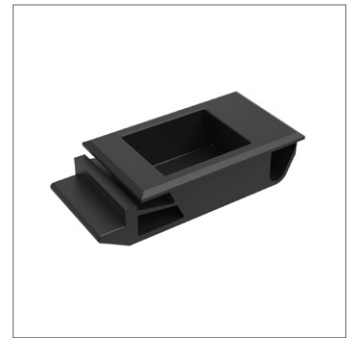
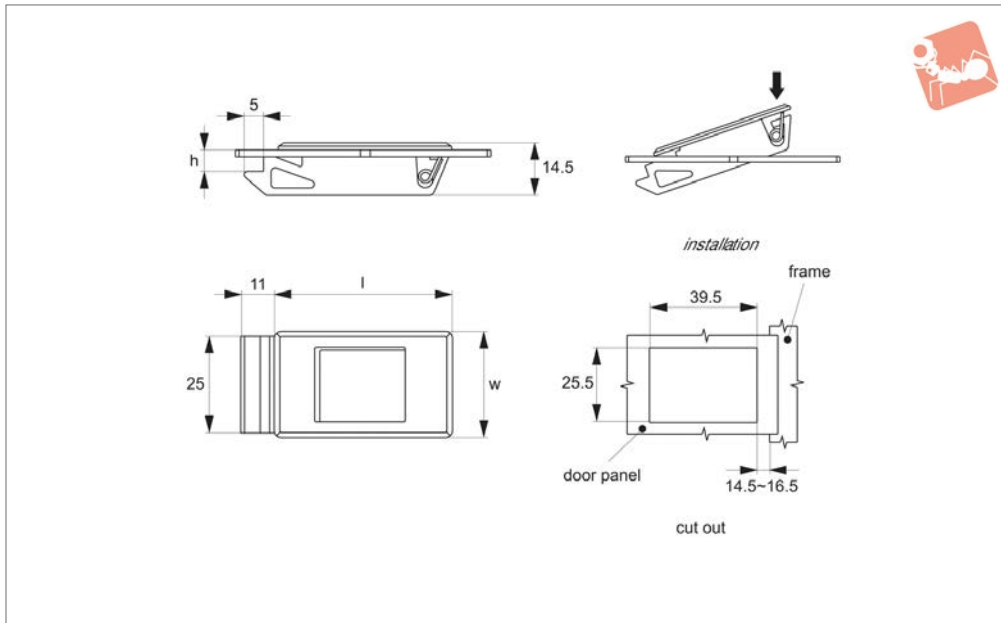




Slide Latches - Flush snap-in installation

Catches & Latches



E2021

CATCHES & LATCHES

Material

ABS plastic resin, stainless steel spring.

2mm. Ideal for small metal machinery covers.

Technical Notes

Suitable for panel thickness 1.5mm or

Pull back latch to open panel, release and latch is returned due to internal spring.

Order No.	Colour	For panel thickness	h grip length	l	w
E2021.AW0010	Grey	1.5	6	47	28
E2021.AW0020	Black	1.5	6	47	28
E2021.AW0310	Grey	2.0	6	47	28
E2021.AW0320	Black	2.0	6	47	28

