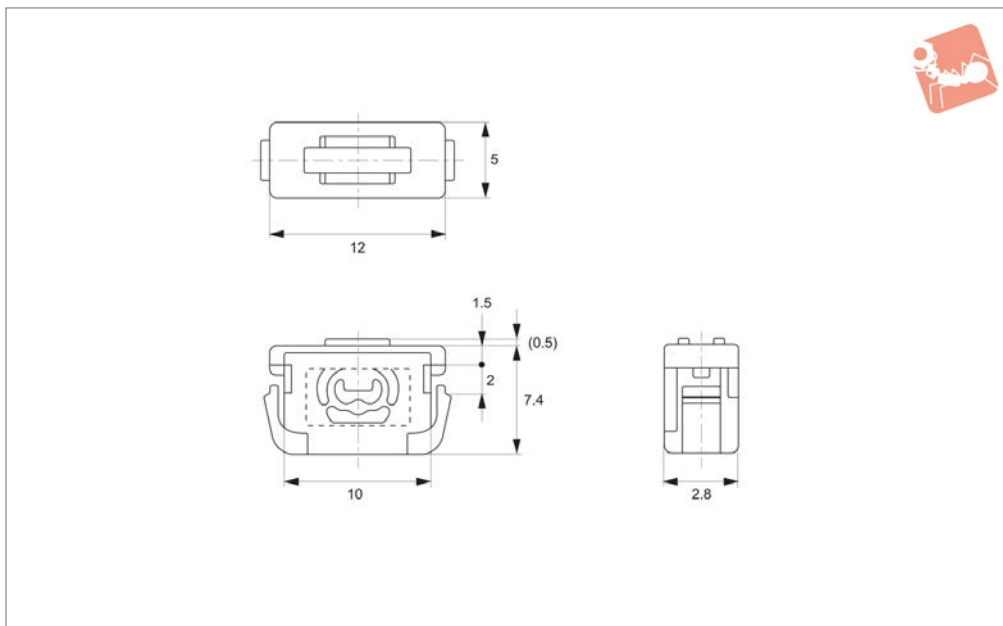




Mini Magnetic Catches

snap-in type

Catches & Latches



E5600

CATCHES & LATCHES

Material

Body: polyamide.
Yoke: steel.

Technical Notes

Suitable for doors 1,5 to 2mm thick.

Order No.

E5600.AC0010

Magnetic force

kgf

0,25-0,50

Weight

g

1

