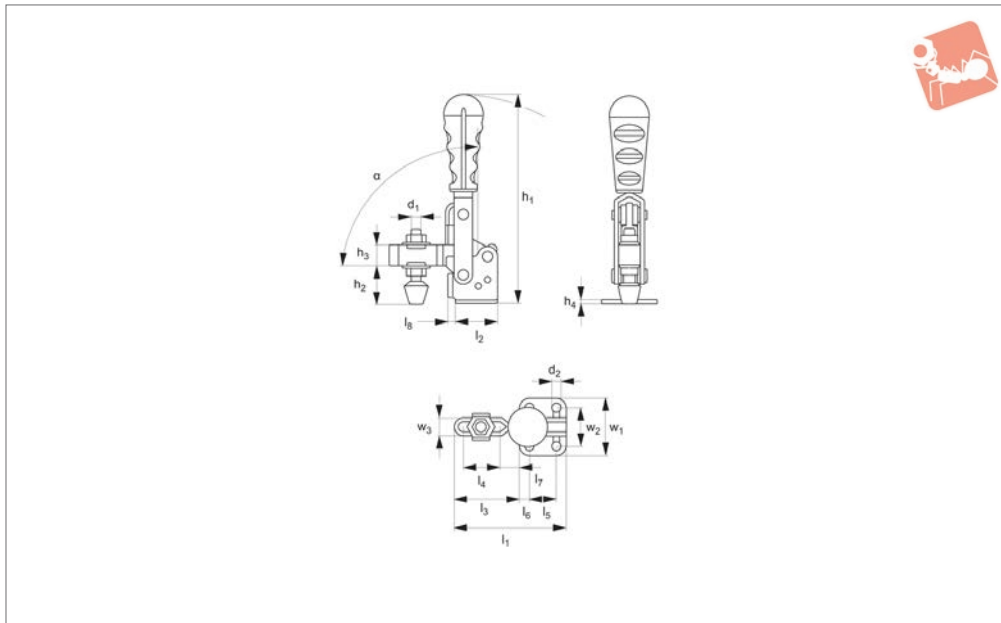




# Toggle Clamps - Vertical Acting

economy - horizontal base - open arm

## Economy Toggle Clamps



**EC600**

ECONOMY TOGGLE CLAMPS

**Material**

Body: steel, zinc plated.  
Rivets: stainless steel.

Bushes: case hardened and greased.

Handle: plastic, red, oil resistant.

Supplied complete with clamping screw

(with rubber pad).

Order No.	Size	Holding force kN	d <sub>1</sub>	d <sub>2</sub>	h <sub>1</sub>	h <sub>2</sub>	h <sub>3</sub>	h <sub>4</sub>	l <sub>1</sub>	l <sub>2</sub>	Weight g
EC600-1	1	0.5	M 5	4.4	77	19	8.0	2.0	50.4	26.0	50
EC600-2	2	1.5	M 6	5.1	111	23	11.0	3.0	69.9	27.0	190
EC600-3	3	2.5	M 8	7.1	175	32	17.5	3.2	90.0	35.0	380
EC600-4	4	3.4	M10	8.3	218	42	22.0	4.0	143.0	50.0	810
EC600-5	5	3.6	M12	8.7	224	51	22.5	3.0	176.0	50.8	1100

Order No.	l <sub>3</sub>	l <sub>4</sub>	l <sub>5</sub>	l <sub>6</sub>	l <sub>7</sub>	l <sub>8</sub>	w <sub>1</sub>	w <sub>2</sub>	w <sub>3</sub>	α
EC600-1	24.4	16.4	16.0	5.0	3.5	-	33.4	23.4	5.0	67,4°
EC600-2	42.9	21.5	12.7	7.0	15.0	-	37.9	26.9	6.0	93,0°
EC600-3	55.0	28.0	19.0	8.0	19.0	5.5	47.0	32.0	8.9	90,4°
EC600-4	92.8	60.5	32.0	9.0	23.0	10.0	64.0	45.0	10.6	90,0°
EC600-5	125.0	82.5	32.0	9.5	31.0	12.2	64.0	45.0	13.4	101°