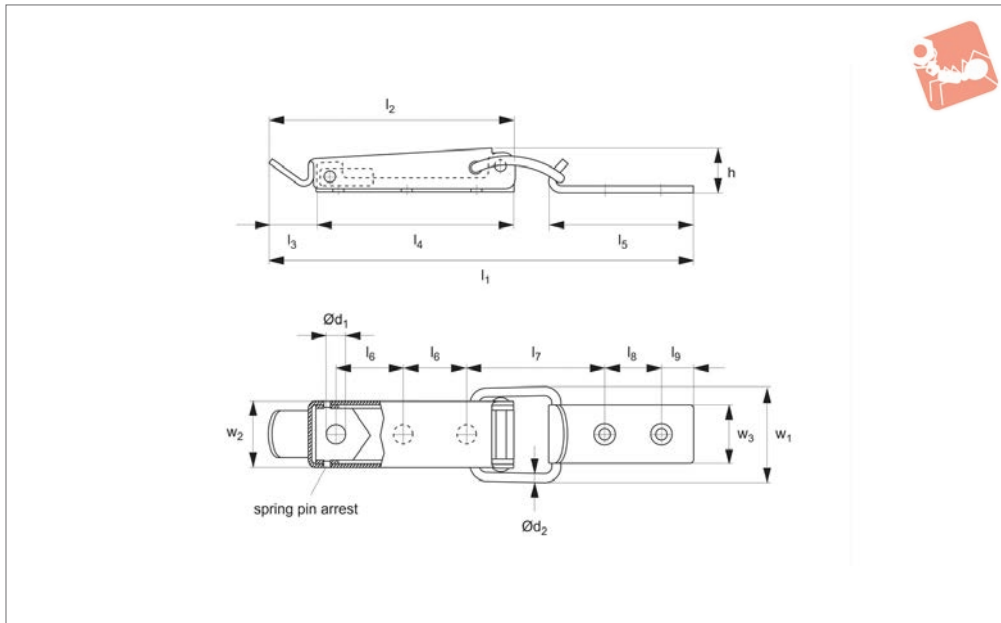




Toggle Latches

with click arrest, **stainless steel**

Draw Latches



J0426

DRAW LATCHES

Material

Steel, Fe P02 + P12, UNI5866, zinc plated.
Or stainless steel AISI 304, UNI x5crNi.

Technical Notes

Supplied with counter strike. Features a spring pin locking system, pin must be

depressed for the toggle latch to be released.

Order No.	Finish	l_1	w_1 ± 0.5	h ± 0.5	$\varnothing d_1$	$\varnothing d_2$	l_2	l_3	l_4 ± 0.5	Weight g
J0426.AC0004	Zinc Plated Steel	193.5	43	19	5.3	4	112	21.5	90	190
J0426.AC0030	Stainless Steel	193.5	43	19	5.3	4	112	21.5	90	190

Order No.	l_5	l_6	l_7 ± 0.5	l_8	l_9	w_2 ± 0.5	w_3	Load N max.	Tension N max.
J0426.AC0004	66	31.5	58.5	25.5	15	30	27	2000	4000
J0426.AC0030	66	31.5	58.5	25.5	15	30	27	2000	4000