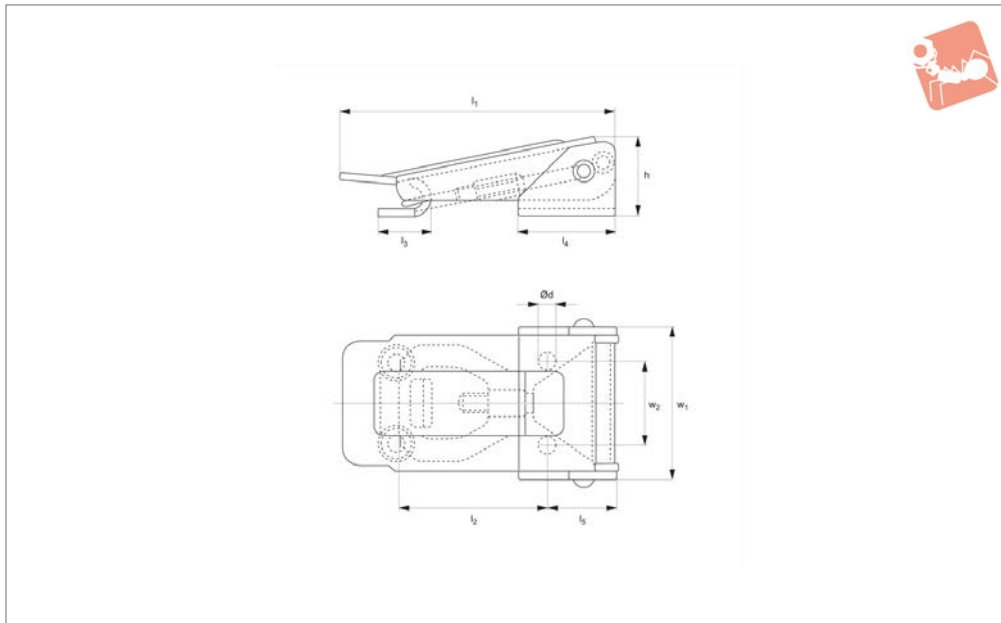




# Toggle Latches

adjustable, stainless steel

# Draw Latches



**J0560**

DRAW LATCHES

**Material**

Steel, Fe P02 + P12, UNI5866, zinc plated.  
Or stainless steel AISI 304, UNI x5crNi.

**Technical Notes**

Supplied with counter strike.  
Draw length adjustable through turns of

threaded draw rod, giving 12mm length of adjustment.

Order No.	Finish	$l_1$	$h$	$w_1$	$\varnothing d$	$l_2$	Weight g
J0560.AC0004	Zinc Plated Steel	88	26	48.5	5.5	48 to 60	160
J0560.AC0030	Stainless Steel	88	26	48.5	5.5	48 to 60	160

Order No.	$l_3$	$l_4$	$l_5$	Load N max.	Tension N max.	$w_2$
J0560.AC0004	17	31	22	1500	3000	26
J0560.AC0030	17	31	22	1500	3000	26