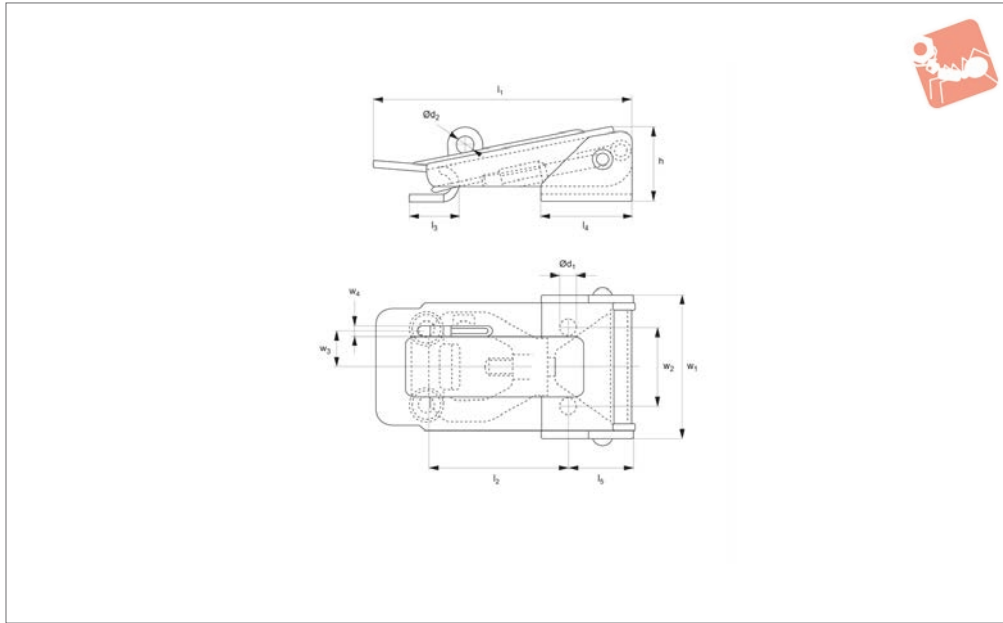




# Toggle Latches

adjustable with padlock hasp.

# Draw Latches



**J0562**

DRAW LATCHES

**Material**

Steel, Fe P02 + P12, UNI5866, zinc plated.

**Technical Notes**

Supplied with counter strike.

Draw length adjustable through turns of threaded draw rod, giving 12mm length of adjustment.  
Use padlock of 6mm dia. or less.

Order No.	Finish	$l_1$	$h$	$w_1$	$\varnothing d_1$	$\varnothing d_2$	$l_2$	Weight g
J0562.AC0004	Zinc Plated Steel	88	26	48.5	5.5	6	48 to 60	170
Order No.	$l_3$	$l_4$	$l_5$	$w_2$	$w_3$	$w_4$	Load N max.	Tension N max.
J0562.AC0004	17	31	22	26	12	1.5	1500	3000