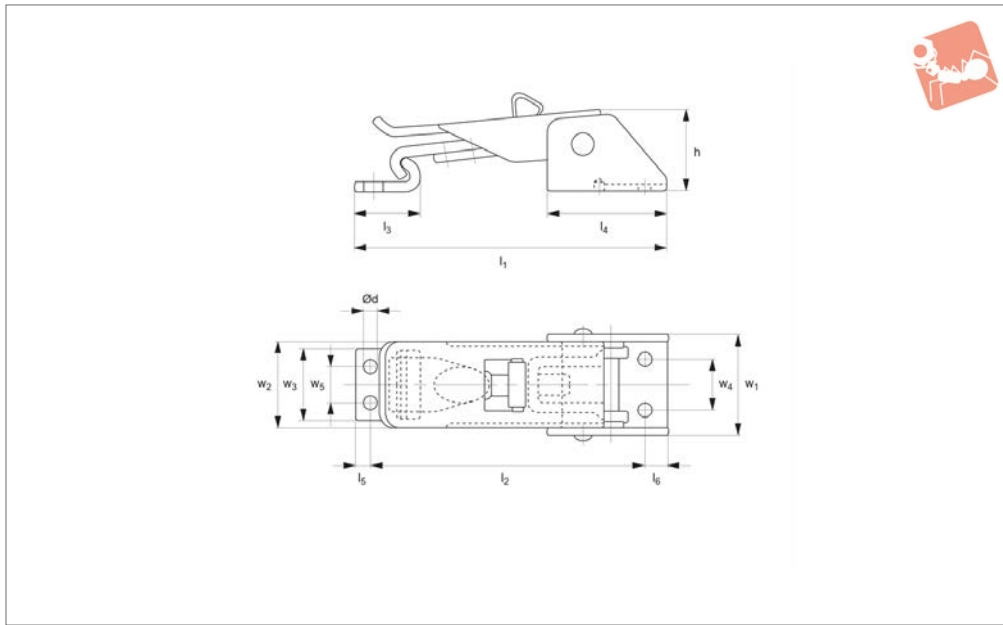




# Toggle Latches

adjustable with secondary lock

# Draw Latches



**J0582**

DRAW LATCHES

**Material**

Steel, Fe P02 + P12, UNI5866, zinc plated.

Draw length adjustable through turns of threaded draw rod, giving 12mm length of adjustment.

**Technical Notes**

Supplied with counter strike.

Order No.	Finish	$l_1$	$h$	$w_1$	$\varnothing d$	$l_2$	$l_3$	$l_4$	Weight g
J0582.AC0004	Zinc Plated Steel	82-94	22	27	3.6	72 to 84	17.5	33	90
Order No.	$l_5$	$l_6$	$w_2$	$w_3$	$w_4$	$w_5$	Load N max.	Tension N max.	
J0582.AC0004	4	6	24	19	14	10	1000	2000	