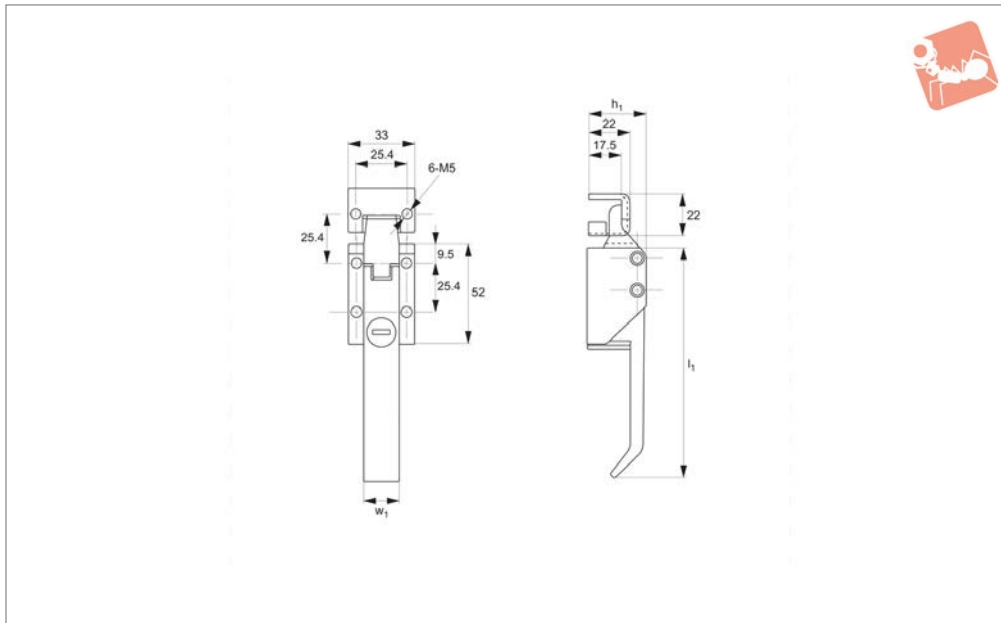




Over Centre Lever Latch - with Lock

standard cylinder lock - zinc

Draw Latches



J0660

DRAW LATCHES

Material

Housing, Handle and Strike: die cast zinc, black powder coated.

Pins: stainless steel.

Supplied with: Keys and counter strike.

Not supplied: Fixing screws.

Order No.	Type	l_1	w	h_1
J0660.AW0010	With Lock	127	18	31.5
J0660.AW0020	Blank - W/o Lock	127	18	31.5